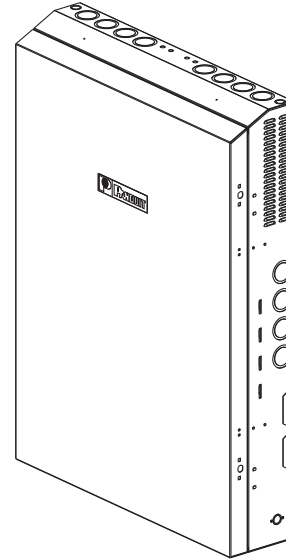


## INSTRUCTIONS CM336

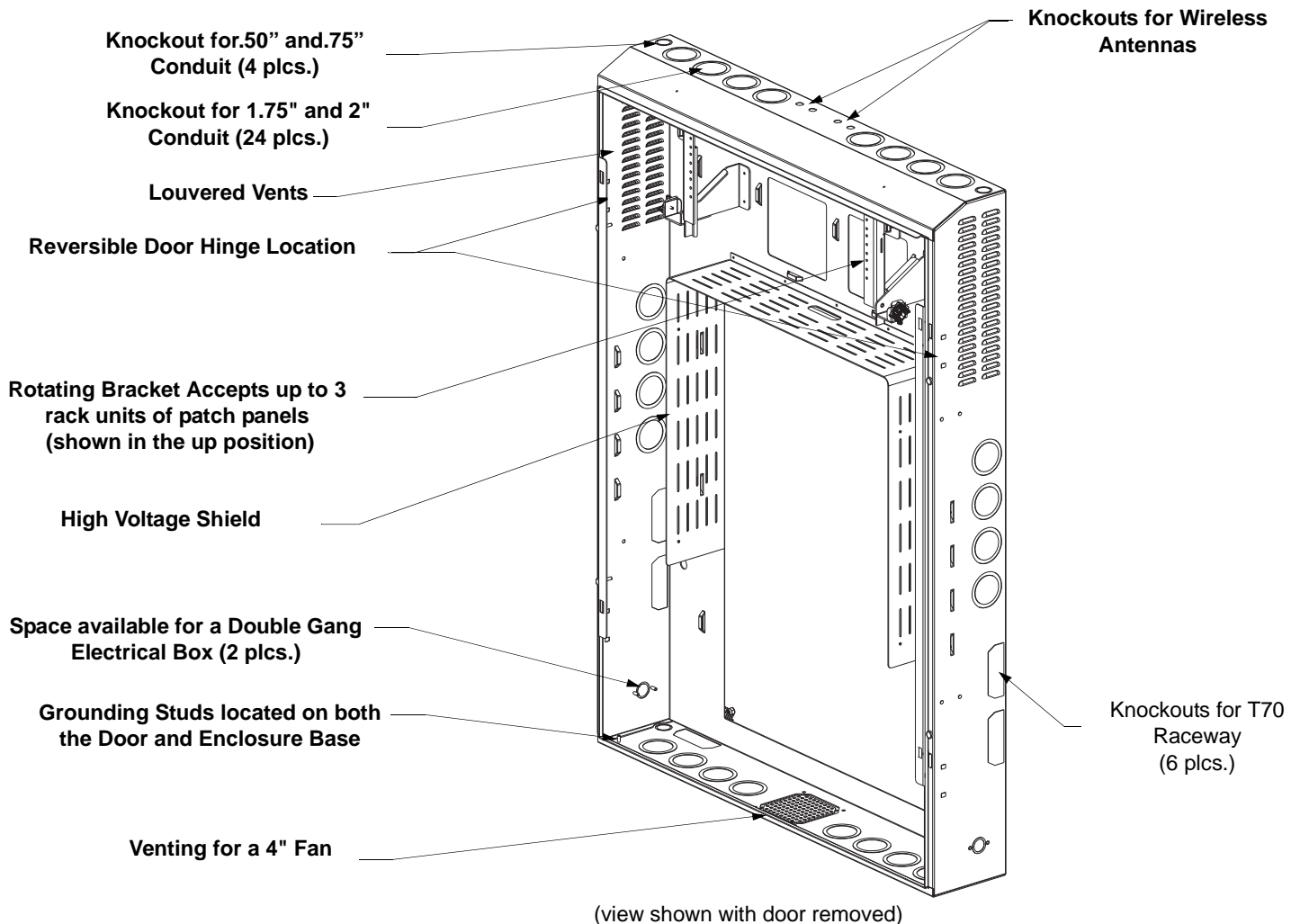
© Panduit Corp. 2007

### List of Components:

- (1) 36" Edge Grommet
- (1) Roll of *TAK-TAPE* (TTS-20R0)
- (1) Installation Instruction
- (2) Grounding Cable
- (2) Port ID Labels
- (6) Screw Caps
- (3) PZBR3
- (2) #10-24 Acorn Nuts
- (2) Washers
- (20) Thread Cutting Screws
- (3) 3' Sections of Hinged 2" X 2" Panel Duct



**PZBASE3**



## Step 1: Mounting Enclosure to Wall / Electrical Box Installation

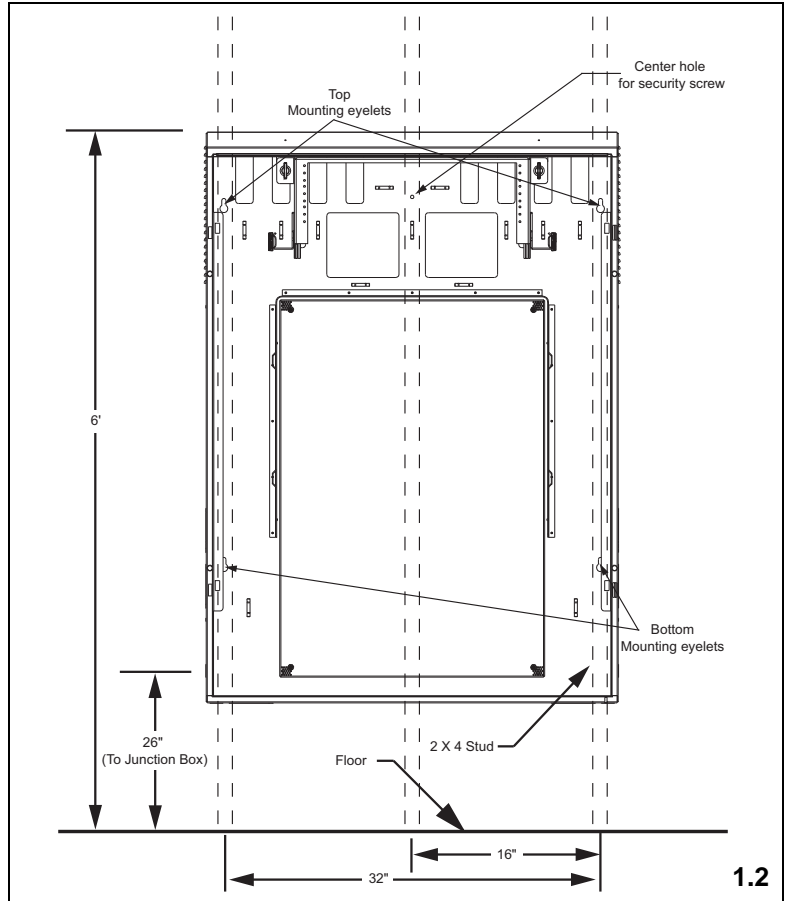
- 1.1 Locate the wall studs (16" on center in most U.S. cases).
- 1.2 Center enclosure over 3 studs drill holes for 5/16" lag bolts for top mounting eyelets first. (2 places)  
**Note:** Lag bolts not supplied
- 1.3 Install top lag bolts leaving a gap the thickness of the enclosure sheet metal.
- 1.4 Hang enclosure on top lag bolts and tighten.
- 1.5 Install lower lag bolts. (2 places)
- 1.6 Install lag bolt at center hole to prevent vertical movement.

### If Mounting Electrical Box inside Enclosure:

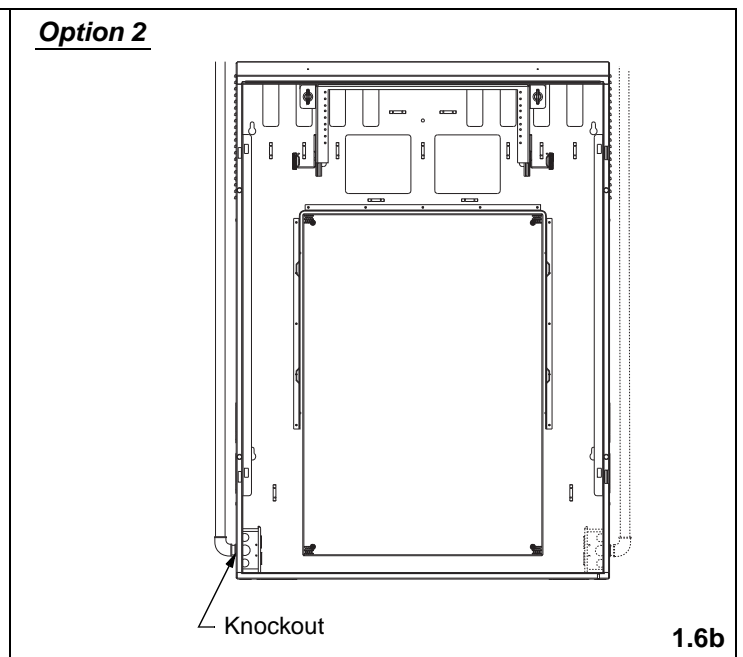
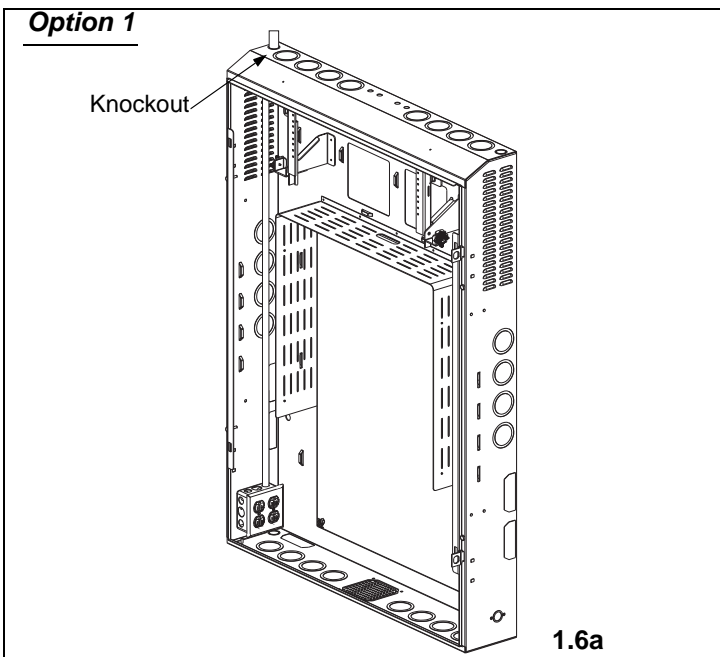
Determine which side of enclosure the electrical box will be mounted. There are two options for routing the conduit when mounting the electrical box inside the enclosure.

**Option 1 - Inside of Enclosure:** Mount electrical box on desired side of enclosure using PEM studs (nuts not included). Remove knockout from top of enclosure on corresponding side of mounted electrical box. Run conduit through knockout hole along inside edge of enclosure to the electrical box. (See figure 1.6a)

**Option 2 - Outside of Enclosure:** Remove knockout from side of enclosure the electrical box will be mounted. Mount the electrical box. Run conduit along the outside of enclosure and connect to electrical box through the knockout hole (See figure 1.6b).



1.2



## Step 2: Door and Lock Installation

2.1 Determine from what side the door will hinge. Pay attention to how close the enclosure is to a corner, a door, or any other object that may obstruct the opening of the door.

2.2 Use the carriage bolts, lock washer and nuts to attach the hinges. Snap the two retaining rings into the groove on the hinge pin. Insert hinge pins in the base side hinges. (See figure 2.2)

Note: Slots in door and base allow door to be positioned relative to base for improved fit. Perform step 2.3 before tightening hinge nuts.

2.3 Lift door and position perpendicular to the base. Slide door down into place.

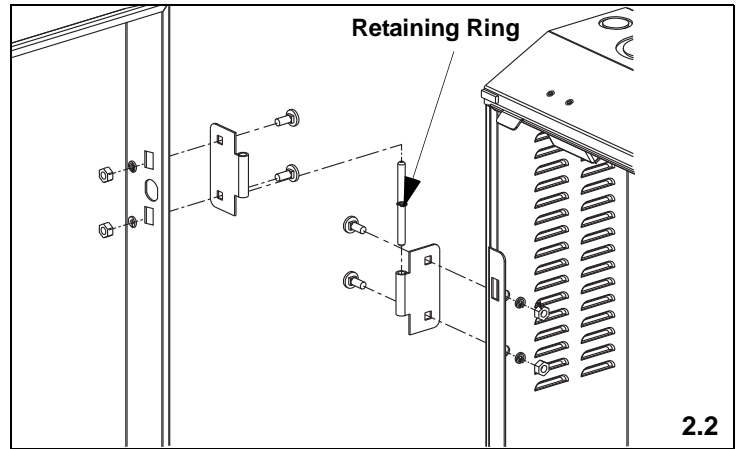
2.4 Determine if the installation requires the door lock hasp (supplied) or the keyed locks (sold separately).

### Door Lock Hasp Installation:

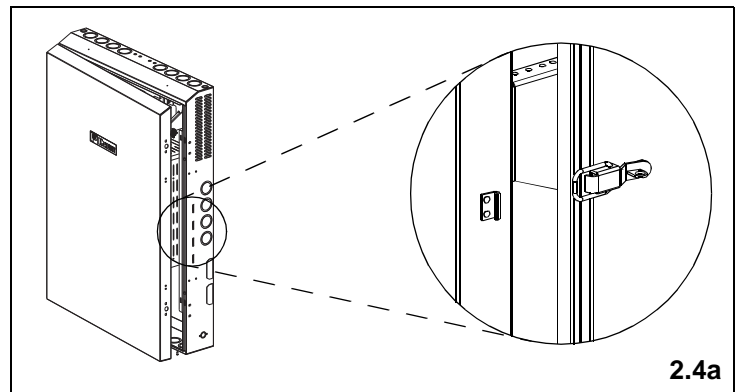
Knockout the two holes on the opposite side of the hinges in the middle of the enclosure on both the base and the door (See figure 2.4a). Attach the latch to the base and the catch to the door using supplied #10-32 size screws and nuts. Plug 8 existing holes with supplied hole caps.

### Keyed Locks Installation: (sold separately)

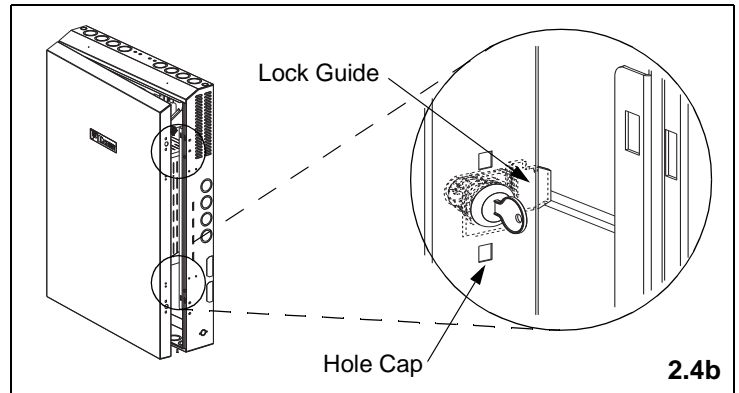
Knockout the two large holes directly opposite from the hinges on the cover. Slide in lock body and then slide lock guide over the lock body. Attach lock hook with supplied screw. (See figure 2.4b). Plug 8 existing holes with supplied hole caps.



2.2



2.4a



2.4b

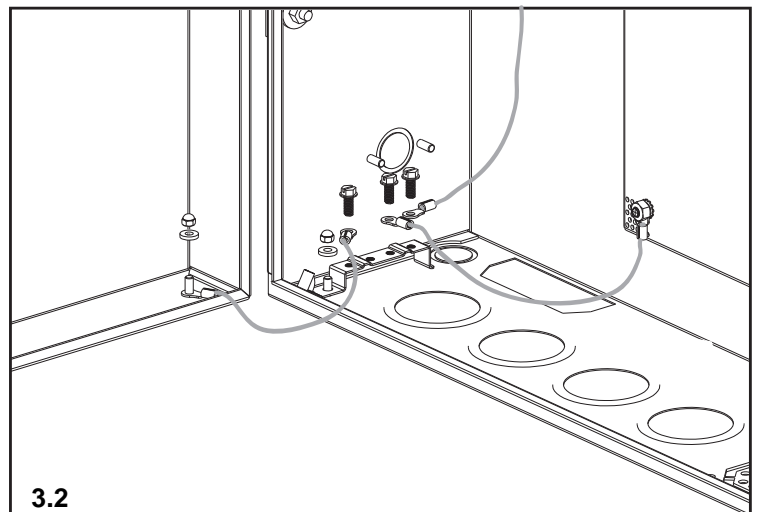
## Step 3: Grounding

3.1 PANDUIT recommends the use of *STRUCTUREDGROUND* Enclosure Grounding kit (**PZAEKG**) for grounding the *PANZONE* Building Automaton Systems Enclosure

3.2 Attach grounding bracket as shown in figure 3.2.

3.3 Attach main building ground to bracket.

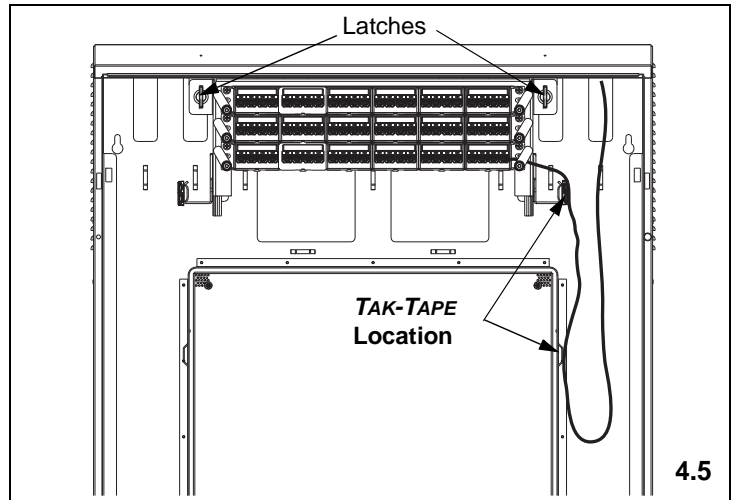
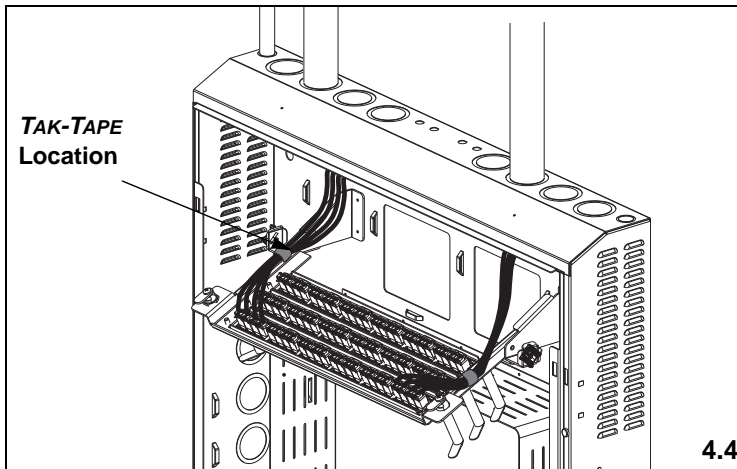
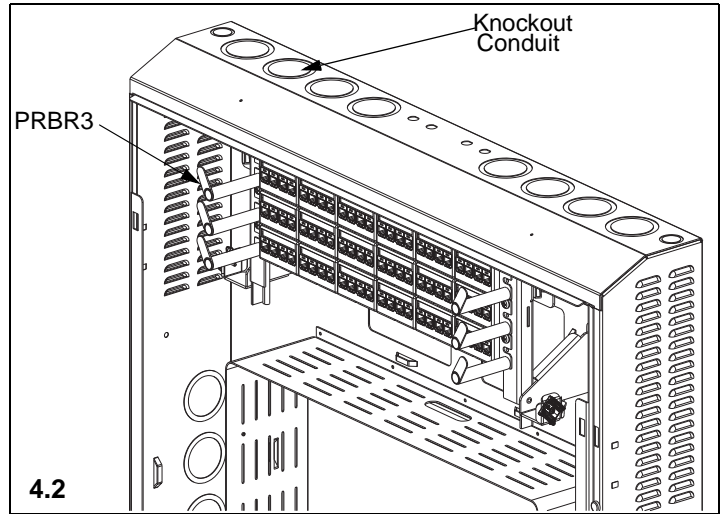
3.4 Attach two solid grounding cables to ground bracket as shown in figure 3.2



3.2

### Step 4: Horizontal Cabling and Patch Panel Installation

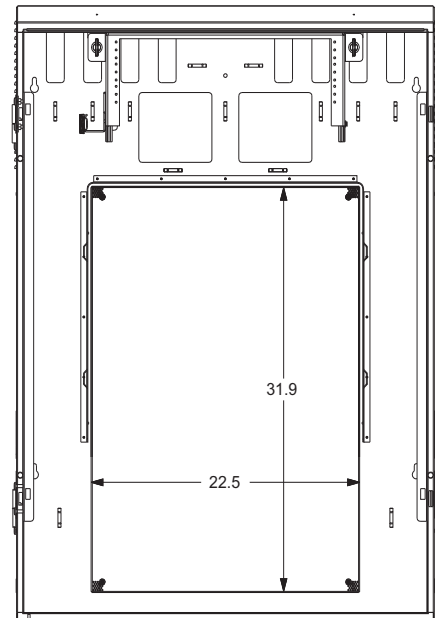
- 4.1 Route horizontal cable from work area to the enclosure by way of conduit, raceway (TG-70 or T-70), or through the cable breakouts on the back wall of enclosure. Use supplied edge grommet to protect cables from sharp metal edges of raceway knockouts and cable breakouts. Be sure to allow enough slack to route and terminate cable.
- 4.2 With Patch Panel Bracket in up the position, install patch panels (suggested *PANDUIT* Part No. CPPL24WBL sold separately) along with PRBR3 bend radius posts to the front side of the bracket. (See figure 4.2)
- 4.3 Rotate Patch Panel Bracket down by twisting latches to release bracket. Terminate cables with *MINI-COM GIGA-TX* style jack modules (sold separately). Snap modules into patch panels. Punchdown Patch Panels can also be used.
- 4.4 Secure cables to bracket arm and back wall using supplied *TAK-TYS* (See figure 4.4).
- 4.5 Rotate bracket into up position and rotate latches to hold bracket in place (See figure 4.5).



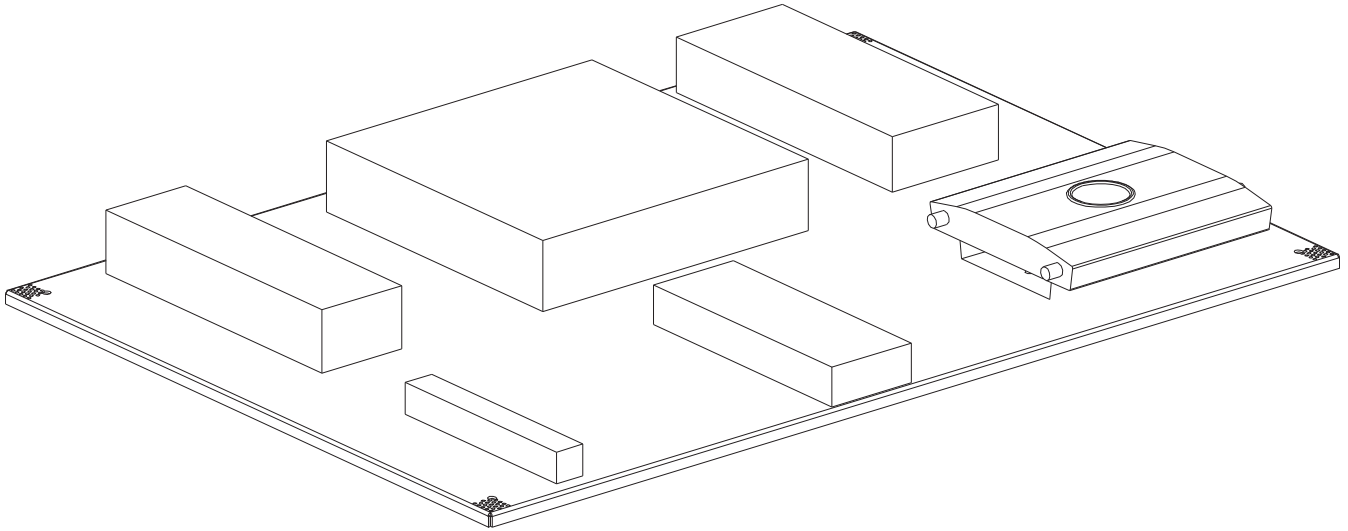
### Step 5: Control System Mounting

- 5.1 Remove perforated panel
- 5.2 Identify the number of control systems to be mounted (e.g. access control, lighting, HVAC, etc.).

**Note:** Do not exceed 50 watts without a fan or 180 watts with fan.

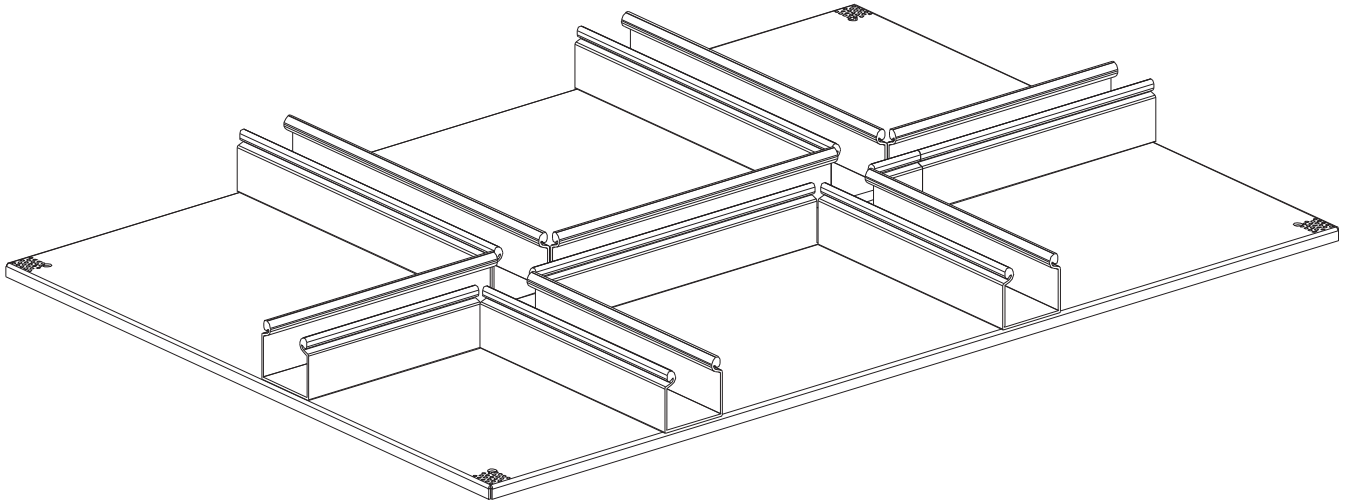


5.3



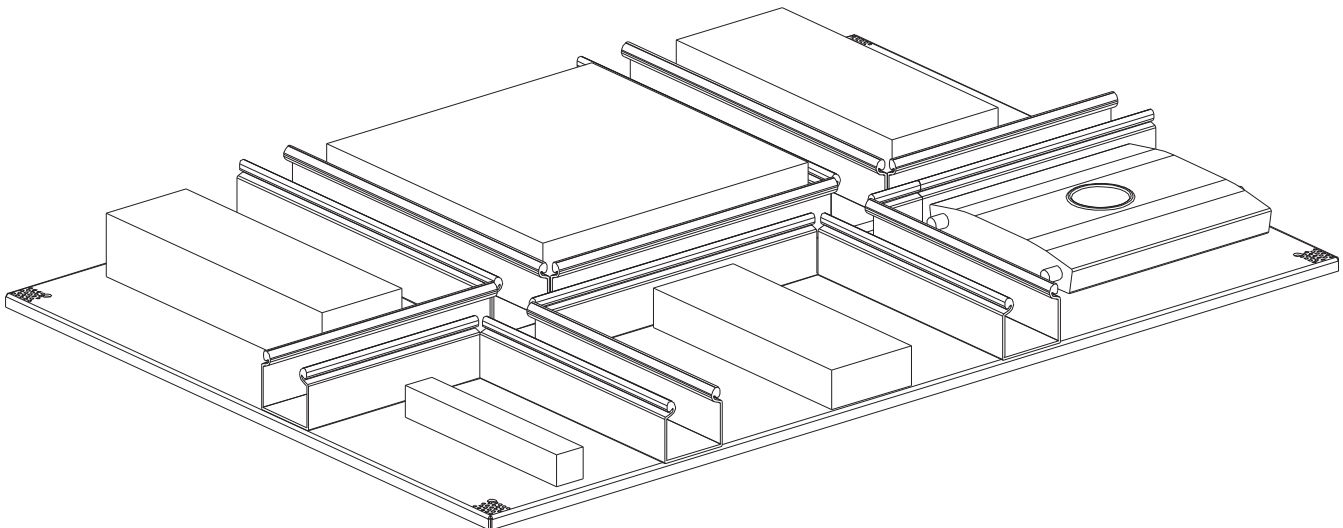
5.3 Determine physical space required on perforated panel for each system.(i.e physically lay out control systems on perforated panel).

5.4



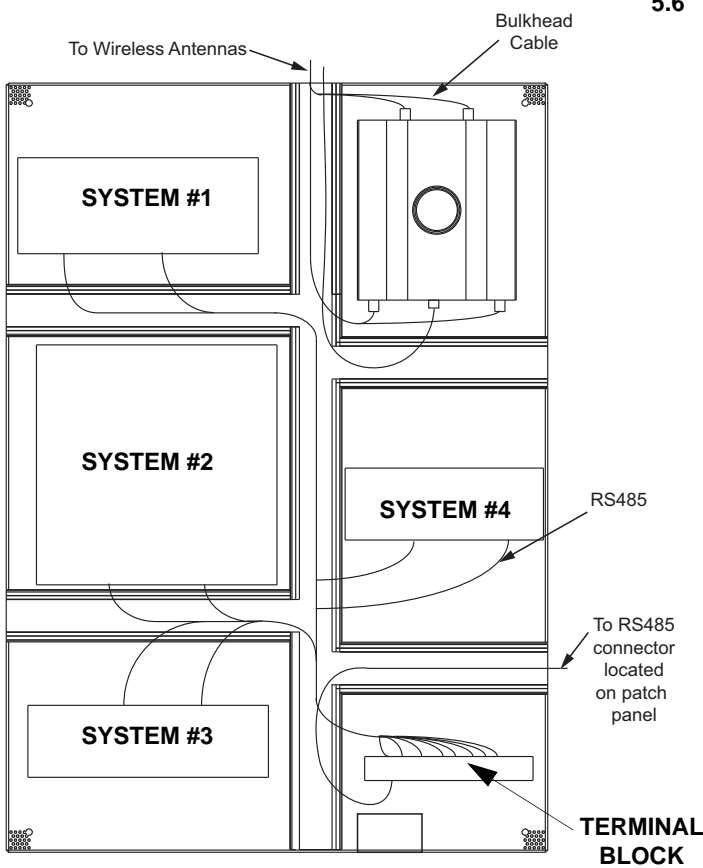
5.4 Use panel duct (H2x2LG3) to segregate individual control systems. Cut duct to size and secure to perforated panel..

5.5



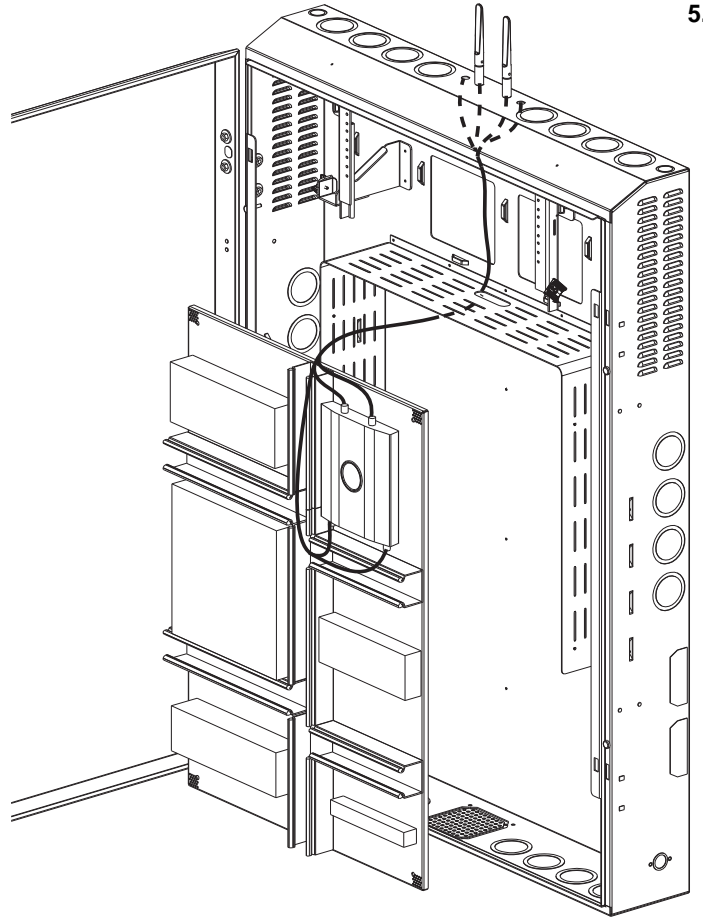
5.5 Secure all controls to perforated panel.

5.6



5.6 Wire individual control systems using panel duct as cable management pathway.  
**Note:** Follow NEC guidelines and/or local codes as required.

5.7



5.7 Reattach perforated panel. Route and attach wireless antenna bulkhead cables as shown.

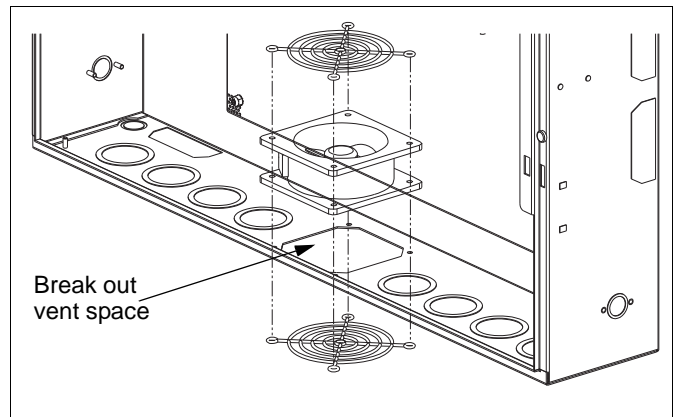
5.8 Terminate device cables from perforated panel to corresponding patch panel connector or external system.

**Note:** For steps 5-8, make sure to employ appropriate grounding practices to ensure personal safety, as well as, to protect sensitive electronic equipment.

5.9 Energize system.

### Step 6: Optional Fan Installation (if required, sold separately)

- 6.1 Break out vent space on bottom of enclosure.
- 6.2 Place fan over opening. Line up the bottom fan cover to the outside of enclosure and screw into place.
- 6.3 Line up top fan cover and screw into place.
- 6.4 Determine the length of the power cord that is desired. Strip back the insulation on the cord and terminate to the plug.
- 6.5 Attach the power cord. The fan can be plugged into an Uninterruptable Power Supply (UPS) or the electrical box inside the enclosure.



For instructions in Local Languages  
and Technical Support:

[www.panduit.com/resources/install\\_maintain.asp](http://www.panduit.com/resources/install_maintain.asp)



[www.panduit.com](http://www.panduit.com)

E-mail:  
cs@panduit.com  
Fax:  
(708)444-6448