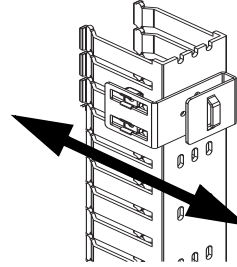
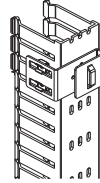


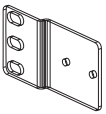
#### SIDE MOUNT BRACKETS

PART NUMBER	SIZE	APPROX HEIGHT	CABLE DIA.		
			0.187	0.25	3mm
CWMPV2418	2"W x 4"D x 18RU	31.5"	79	44	200
CWMPV2440	2"W x 4"D x 40RU	71.8"	79	44	200
CWMPV3418	3"W x 4"D x 18RU	31.5"	125	70	315
CWMPV3440	3"W x 4"D x 40RU	71.8"	125	70	315



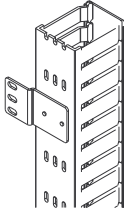
Side bracket shown mounted flush. Slide cage nut along slot for additional adjustment.

Removable brackets can be relocated along the duct for more flexibility.

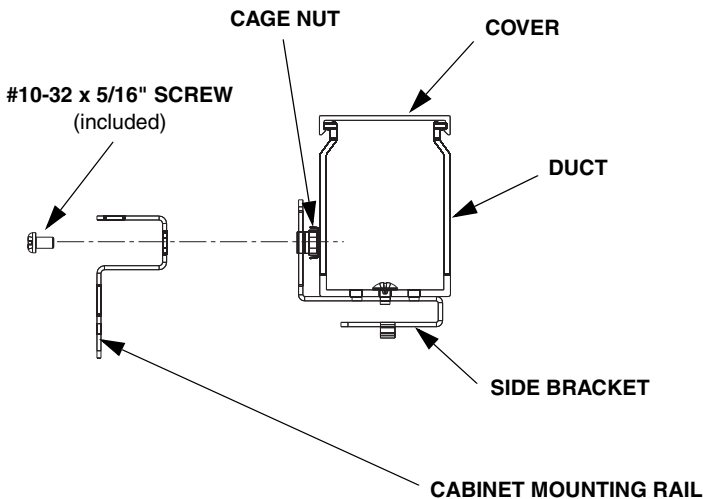


#### FRONT MOUNT BRACKETS

PART NUMBER	SIZE	APPROX HEIGHT	CABLE DIA.		
			0.187	0.25	3mm
CWMPV2318	2"W x 3"D x 18RU	32"	74	41	185
CWMPV2340	2"W x 3"D x 40RU	70"	74	41	185
CWMPV3318	3"W x 3"D x 18RU	32"	110	61	277
CWMPV3340	3"W x 3"D x 40RU	70"	110	61	277

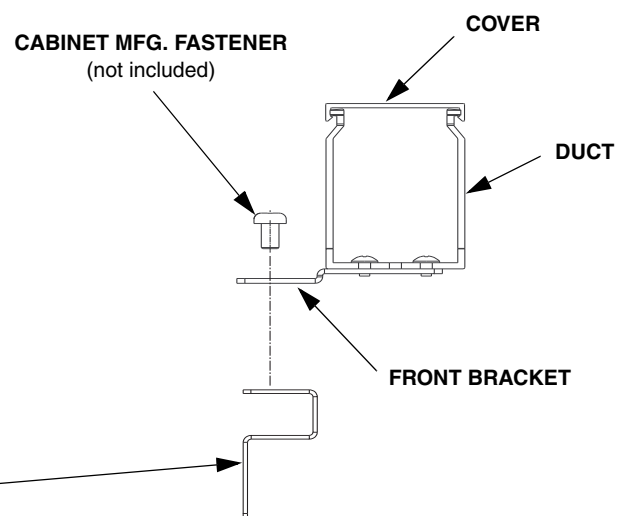


#### SIDE BRACKET ASSEMBLY



Align side mount bracket assembly to the cabinet mounting rail and fasten in place with included #10-32 x 5/16" screw.

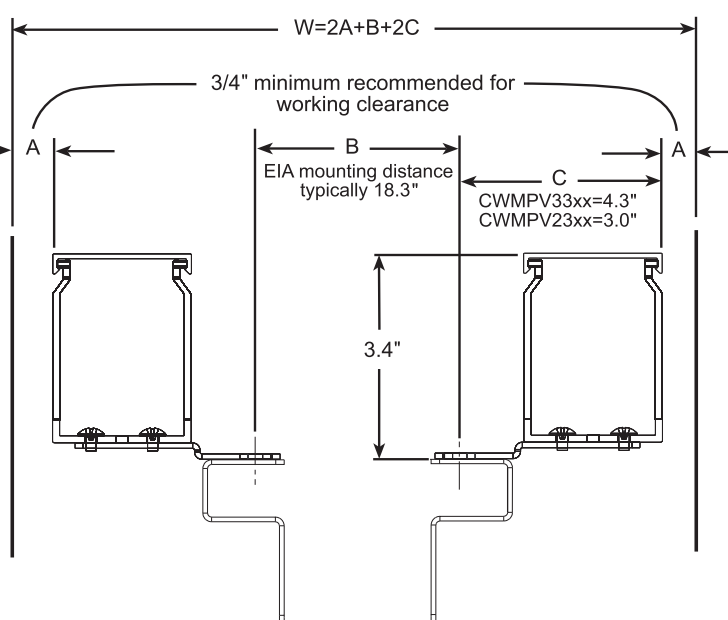
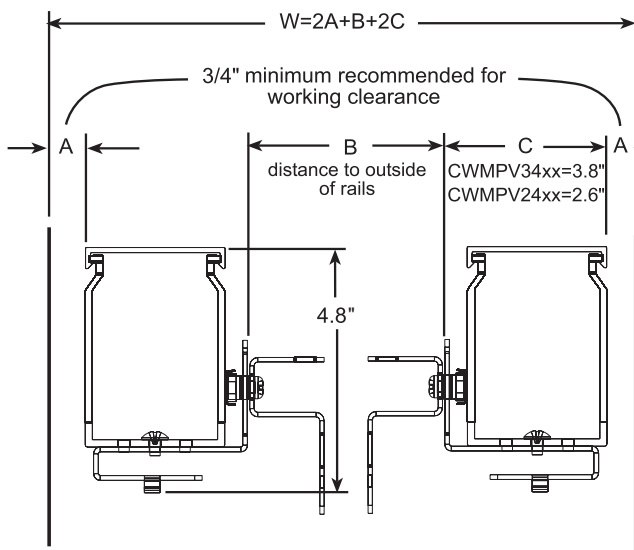
#### FRONT BRACKET ASSEMBLY



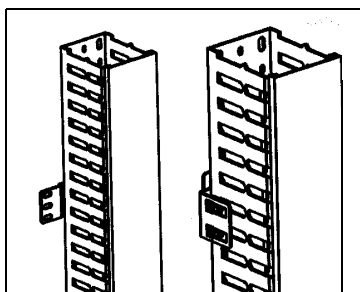
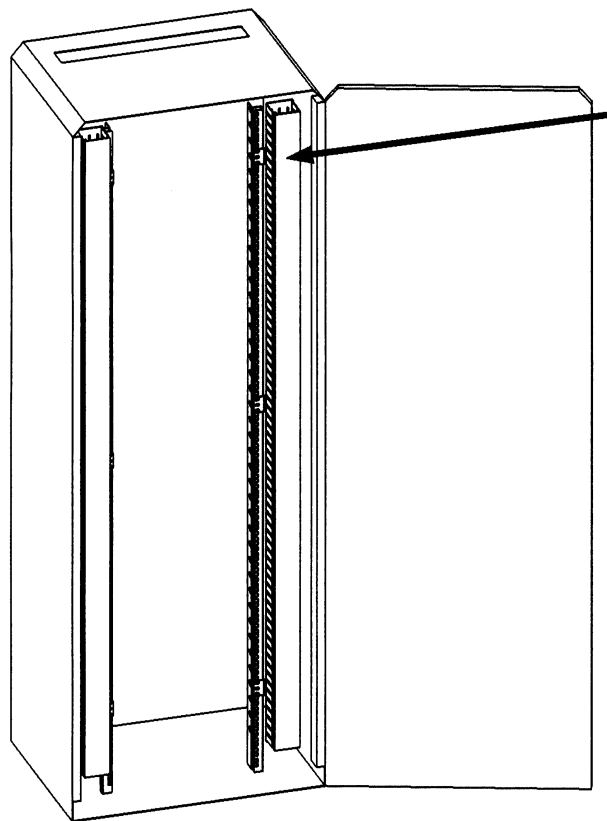
Align front mount bracket assembly to the cabinet mounting rail and fasten in place with cabinet manufacturer's fastener.

**SIDE MANAGER CABINET WIDTH FORMULA**

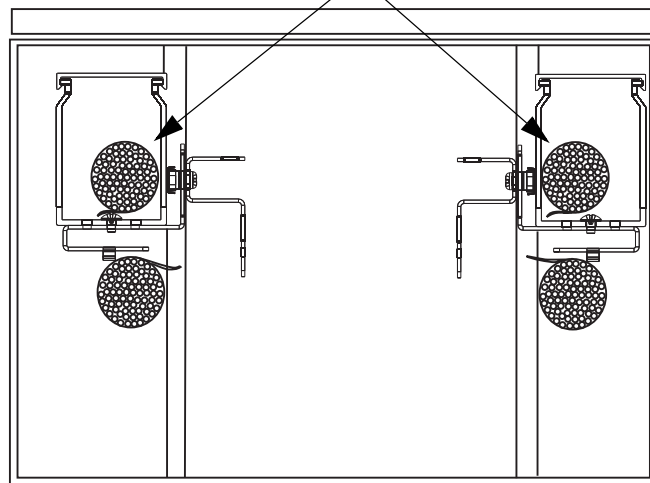
**FRONT MANAGER CABINET WIDTH FORMULA**



**TYPICAL CABINET INSTALLATION**



Cable bundle secured to the rear of the cable managers using Panduit Tak-Tys.



For Instructions in Local Languages and Technical Support:

[www.panduit.com/resources/install\\_maintain.asp](http://www.panduit.com/resources/install_maintain.asp)



[www.panduit.com](http://www.panduit.com)

E-mail: [techsupport@panduit.com](mailto:techsupport@panduit.com)

Phone: 866-405-6654