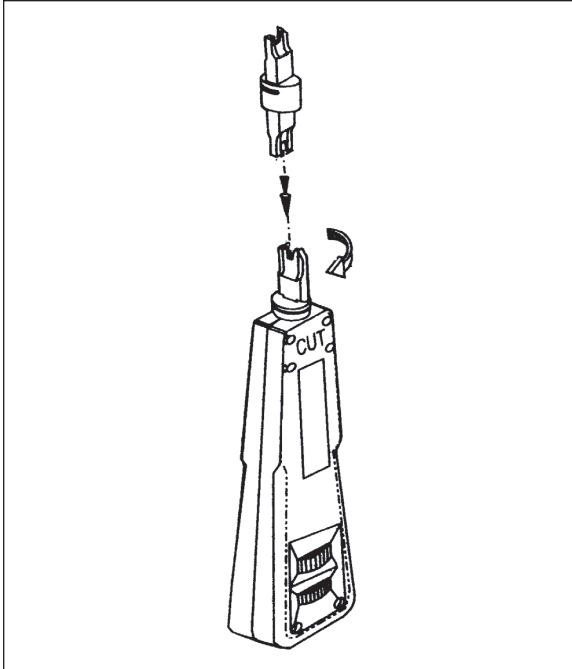


PUNCHDOWN IMPACT TOOLS OPERATION INSTRUCTIONS

© Panduit Corp. 2014

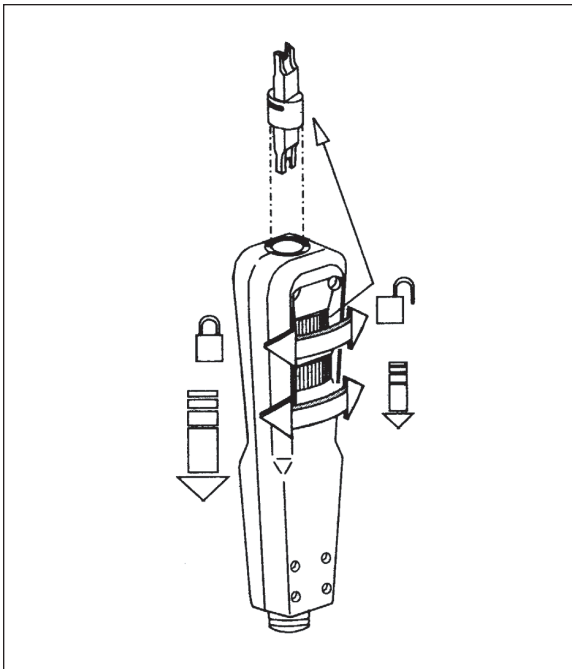


BLADE INSTALLATION AND REMOVAL

- Align and insert blade; rotate $\frac{1}{4}$ turn.
- To remove blade, reverse $\frac{1}{4}$ turn and pull away from handle.

SETTING IMPACT FORCE

- Rotate Impact Knob to "LO" for all 110 connector terminations.
- Rotate Impact Knob to "LO" for Giga-Punch connector seating (without cutting).
- Rotate Impact Knob to "HIGH" for Giga-Punch connector seating and cutting.
- Rotate Impact Knob to "HIGH" for 22 gauge and larger gauge conductors.
- The wire is properly seated after snap action in the handle is activated.
- The blade can be reversed if the wire is not to be cut upon installation.



BLADE STORAGE

- Insert blade in hole; rotate Release Knob to drop the blade in place. Release knob to lock blade in place.
- To remove the blade, invert tool and rotate Release Knob.

BLADE REPLACEMENT PART NUMBERS

Part Number	Description
PDTH110	Pan-Punch 110 REPLACEMENT BLADE
GPSTB	Giga-Punch SINGLE TOOL REPLACEMENT BLADE

E-mail:
techsupport@panduit.com

PANDUIT
www.panduit.com

For Technical Support:
1-888-506-5400, ext. 86914