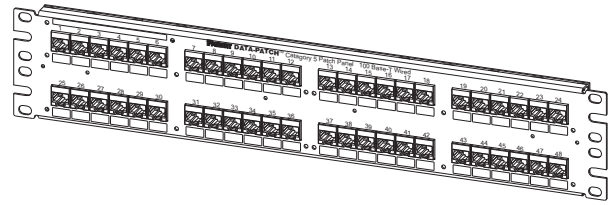
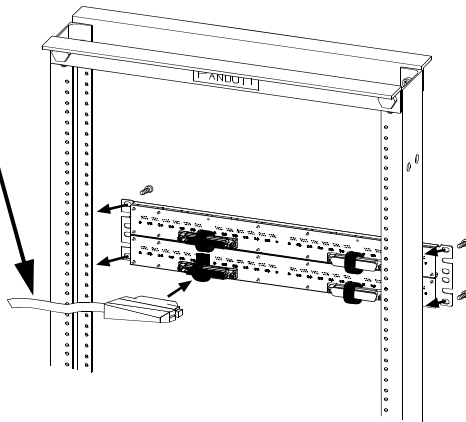


**DP24584TV25Y**

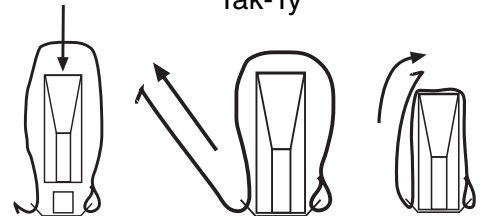


**DP48584TV25Y**

Available Cable Assemblies  
 UTPCH\*SR25Y  
 UTPCH\*SL25Y  
 UTPCH\*R25Y  
 UTPCH\*LR25Y  
 UTPCH\*L25Y  
 UTPCH\*12PP25Y  
 Replace \* with patch cord  
 length in feet (6,8,10,15, or 20)



Secure with  
Tak-Ty



### Adapter Wiring

Port Number				50 Pin Female Connector Pin Number			
				Connected to Modular Connector Pin #1	Connected to Modular Connector Pin #2	Connected to Modular Connector Pin #3	Connected to Modular Connector Pin #6
1	13	25	37	26	1	27	2
2	14	26	38	28	3	29	4
3	15	27	39	30	5	31	6
4	16	28	40	32	7	33	8
5	17	29	41	34	9	35	10
6	18	30	42	36	11	37	12
7	19	31	43	38	13	39	14
8	20	32	44	40	15	41	16
9	21	33	45	42	17	43	18
10	22	34	46	44	19	45	20
11	23	35	47	46	21	47	22
12	24	36	48	48	23	49	24

For Instructions in Local Languages  
and Technical Support:

[www.panduit.com/resources/install\\_maintain.asp](http://www.panduit.com/resources/install_maintain.asp)



[www.panduit.com](http://www.panduit.com)

E-mail:  
techsupport@panduit.com

Phone:  
866-405-6654