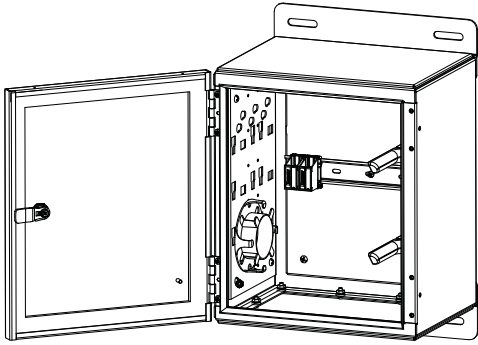


### Z11C-\*\* Preconfigured Network Zone System



**TABLE OF CONTENTS**

|   |             |          |
|---|-------------|----------|
| <b>Overview of Products</b>                       | <b>Page</b> | <b>3</b> |
| <b>Warnings / Safety Information</b>              | <b>Page</b> | <b>3</b> |
| <b>Specs/ Tools Needed</b>                        | <b>Page</b> | <b>4</b> |
| <b>Wall Mounting</b>                              | <b>Page</b> | <b>5</b> |
| <b>Reversible Door</b>                            | <b>Page</b> | <b>6</b> |
| <b>Removable Gland Plate</b>                      | <b>Page</b> | <b>6</b> |
| <b>Pre-Configured Layout</b>                      | <b>Page</b> | <b>7</b> |
| <b>Recommended Installation Instructions for:</b> |             |          |
| <b>Power Entry</b>                                | <b>Page</b> | <b>7</b> |
| <b>Uplink Entry</b>                               | <b>Page</b> | <b>8</b> |
| <b>Downlink Entry</b>                             | <b>Page</b> | <b>8</b> |



Z11C-\*\*

Preconfigured Network Zone System Z11C-\*\* configurations include an enclosure and cable management.

## WARNING



**Be sure wall is capable of supporting cabinet and equipment.**

### DISCLAIMER OF WARRANTIES AND LIMITATION OF LIABILITIES

The practices contained herein are designed as a guide for use by persons having technical skill at their own discretion and risk. Panduit does not guarantee any favorable results or assume any liability in connection with these instructions. Local, State, Federal, and Industry Codes and Regulations, as well as manufacturers requirements, must be consulted before proceeding with any project. Panduit Corp. makes no representations of nor assumes any responsibility for the accuracy or completeness set forth herein. Panduit disclaims any liability arising from any information contained herein or for the absence of same.

### SAFETY INFORMATION

The information and instructions contained in this document are not intended to be utilized as a substitute for proper training and experience in the safe installation and operation of product. Prior to installation, it is the Buyer's responsibility to consult with the appropriate local Authority Having Jurisdiction (AHJ) for all applicable codes, permits, regulations and standards.

This product, including any equipment that may be installed inside, should only be installed and serviced by a licensed electrical contractor, or competent technician, that meets the following qualifications;

- Is thoroughly familiar with this product and the instructions for installation and operation
- Is trained (accredited) in industry-accepted safe operating practices and procedures regarding identification and mitigation of high- and low- voltage hazards and situations.
- Is trained to identify and install appropriately-sized Branch Circuit Disconnect(s) with appropriately-sized Branch-Circuit Protective Rating and Short-Circuit Current Rating (SCCR), before connecting Panduit product to the branch circuit.
- Is trained and authorized to energize, de-energize, clear and ground power distribution equipment.

Is trained in the care and use of appropriate PPE (personal protective equipment) including, but not limited to; arc-flash protective clothing, safety glasses, face shield, hard hat, gloves and non-conductive tools (clamp stick, hot stick, etc.).

| Preconfigured Network Zone Z11C-** Specifications |  |                 |                  |
|---|--|-----------------|------------------|
| <b>Enclosure Rating</b>                           | UL Type 4/12 and IP66 (IEC 60529), NEMA 4X available |                 |                  |
| <b>Installation</b>                               | Wall mount with outside-mount flange                 |                 |                  |
| <b>Dimensions</b>                                 | <b>Height</b>  | <b>Width</b>    | <b>Depth</b>     |
|   | 12"<br>(305 mm)                                      | 14"<br>(356 mm) | 9.7"<br>(246 mm) |
| <b>Weight</b>                                     | 35 lbs. (15.9 kg)                                    |                 |                  |

### Tools and supplies needed to complete install of Preconfigured Zone System: (not included)

- Fiber-optic trunk cable: FSPD504 or similar
- LC Fiber-optic connectors: FLCDMCXAQY or similar
- Fiber-optic termination tools: OptiCam termination kit or similar
- Category 6 copper cable for downlinks: PUR6504BU-UY or similar
- Copper cable termination tools: wire cutters, EGJT tool
- Rigid conduit for power and copper downlink cables
- Tools to cut enclosure sidewalls: Greenlee punch or similar
- 5/16" bolts for wall mounting of enclosure
- #6 AWG Infrastructure ground cable: RGEJ660PF or similar
- 3/8" bolts for wall mounting of stainless steel enclosure
- 3/8" socket or box wrench ground bar

## Wall Mounting

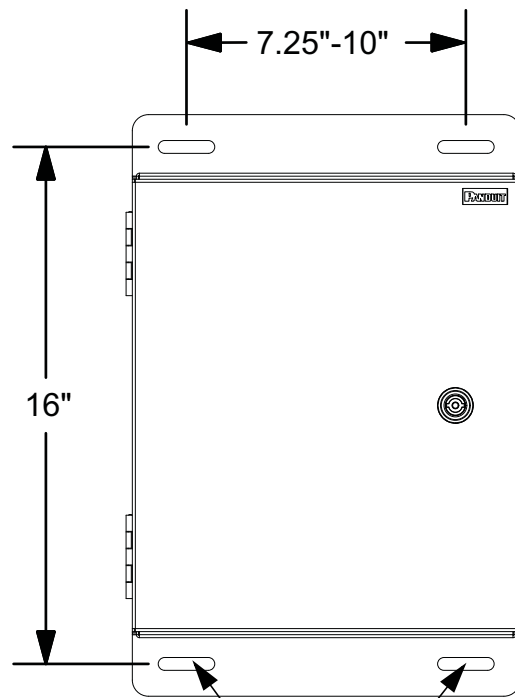
Enclosure may be mounted on any wall utilizing Unistrut or by drilling directly into any concrete wall. There are two mounting hole locations on the top flange and two locations at the bottom flange.

**Step 1:**

Drill holes 7.25"-10" apart horizontally and 16" apart vertically.

**Step 2:**

Mount the enclosure with the locks to the right and secure.



Hole Locations for Wall Mounting

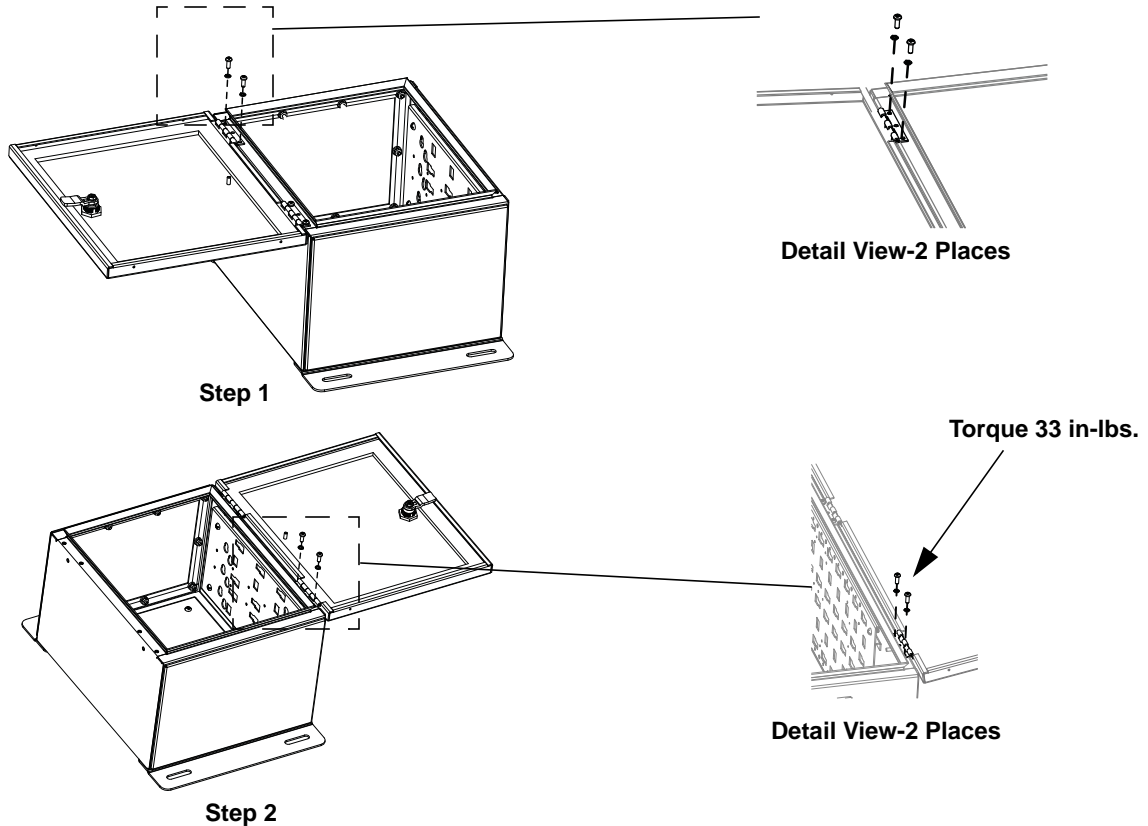
## Reversible Door

The enclosure comes with the door opening to the left.  
The door may be reversed to open to the right.

**Step 1:** Remove screws and washers from door hinges.

**Step 2:** Turn door 180 degrees and mount to opposite side of enclosure using same screws and washers.

**\*\*New Hole locations will have to be drilled or punched out.\*\***

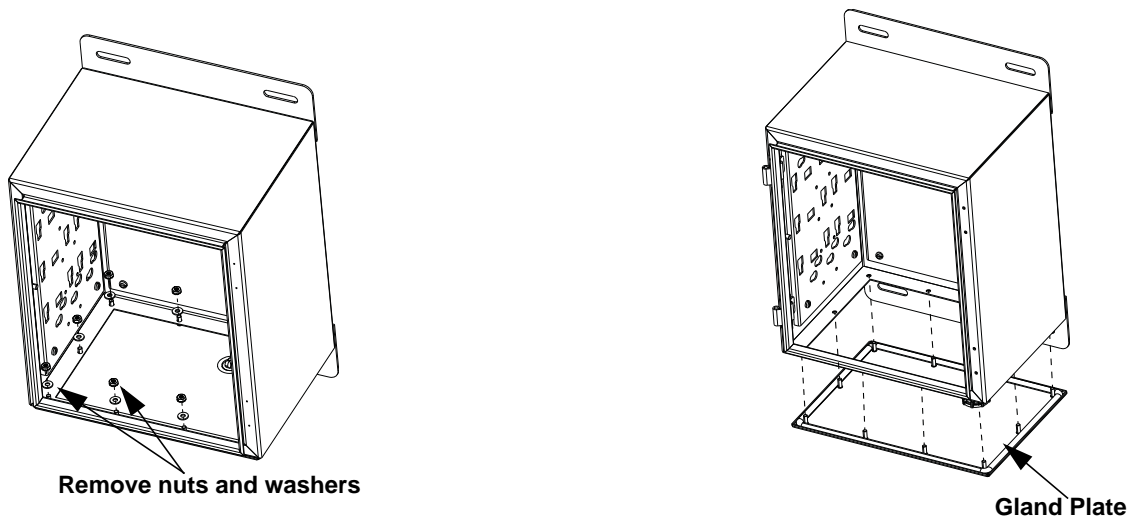


## Removable Gland Plate

The Gland Plate, located on the bottom of the enclosure, is removable for machining to accept bulkhead connectors or compression fittings.

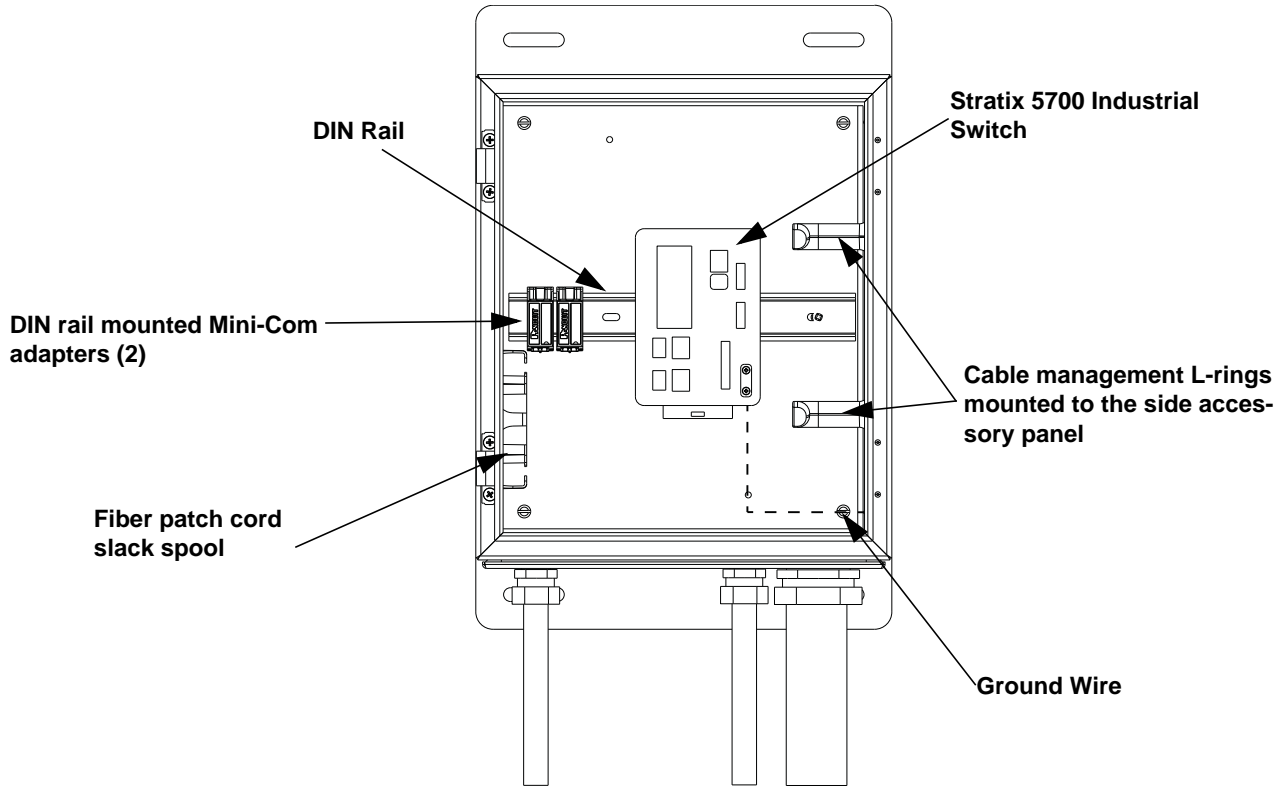
To remove gland plate, unfasten the (10) nuts and (10) flat washers attached to the threaded studs of the gland plate and remove plate from the enclosure.

When reinstalling the gland plate, ensure the nuts are tightened until the gland plate flanges make contact with the enclosure surface.

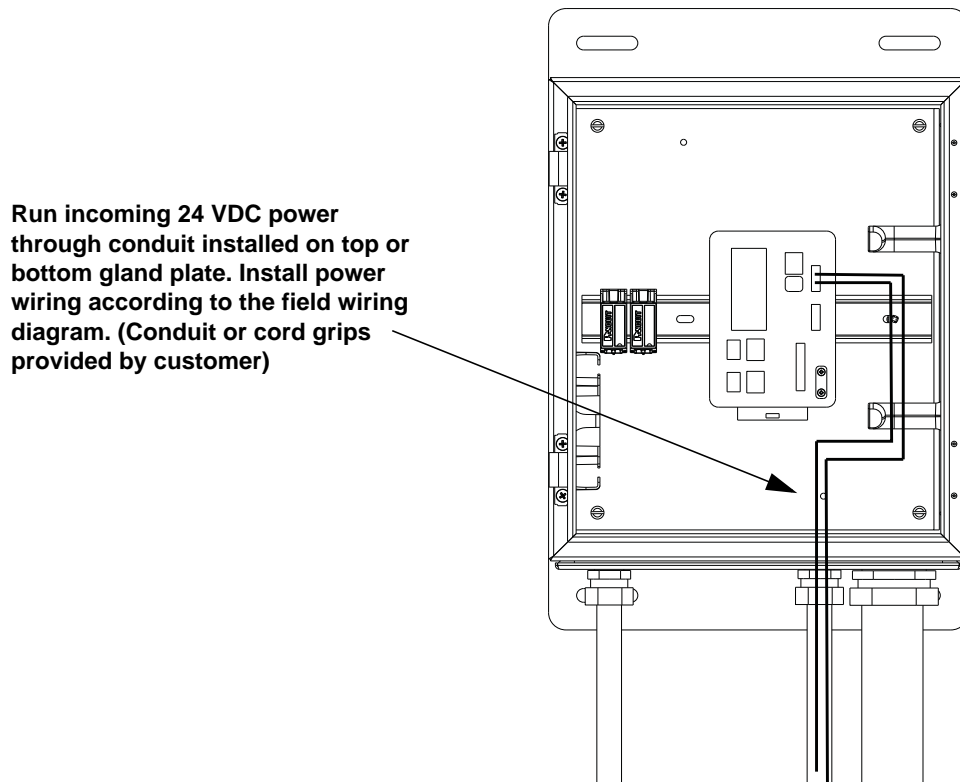


Recommended Installation Instructions for Bundled Accessories

Preconfigured Network



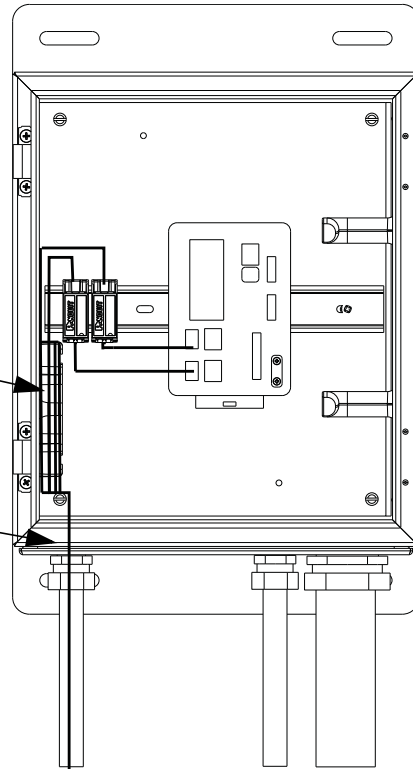
Power Entry



### Uplink Cabling

Fiber patch cord slack on the side mounted spool

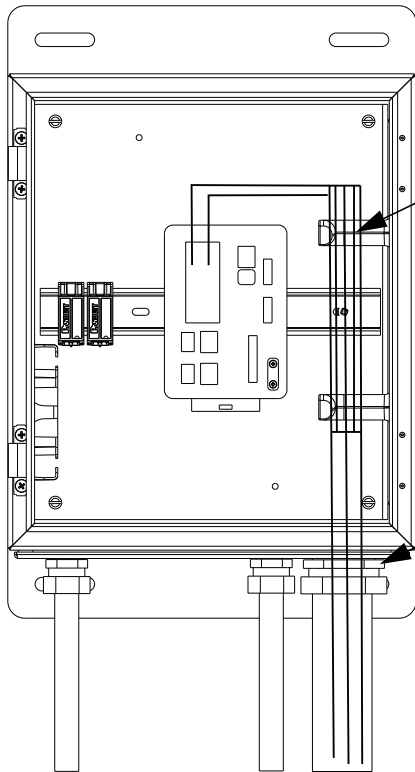
Uplink cable entry



### Downlink Cabling

Slack loop formed around the L-ring cable managers

Downlink cable entry



For Instructions in Local Languages  
and Technical Support:

[http://www.panduit.com/wcs/Satellite?pagename=PG\\_Wrapper&friendlyurl=/en/support/contact-us](http://www.panduit.com/wcs/Satellite?pagename=PG_Wrapper&friendlyurl=/en/support/contact-us)

**PANDUIT**  
www.panduit.com

E-mail:  
tp-csdebt@panduit.com

Fax:  
(800) 777-3300