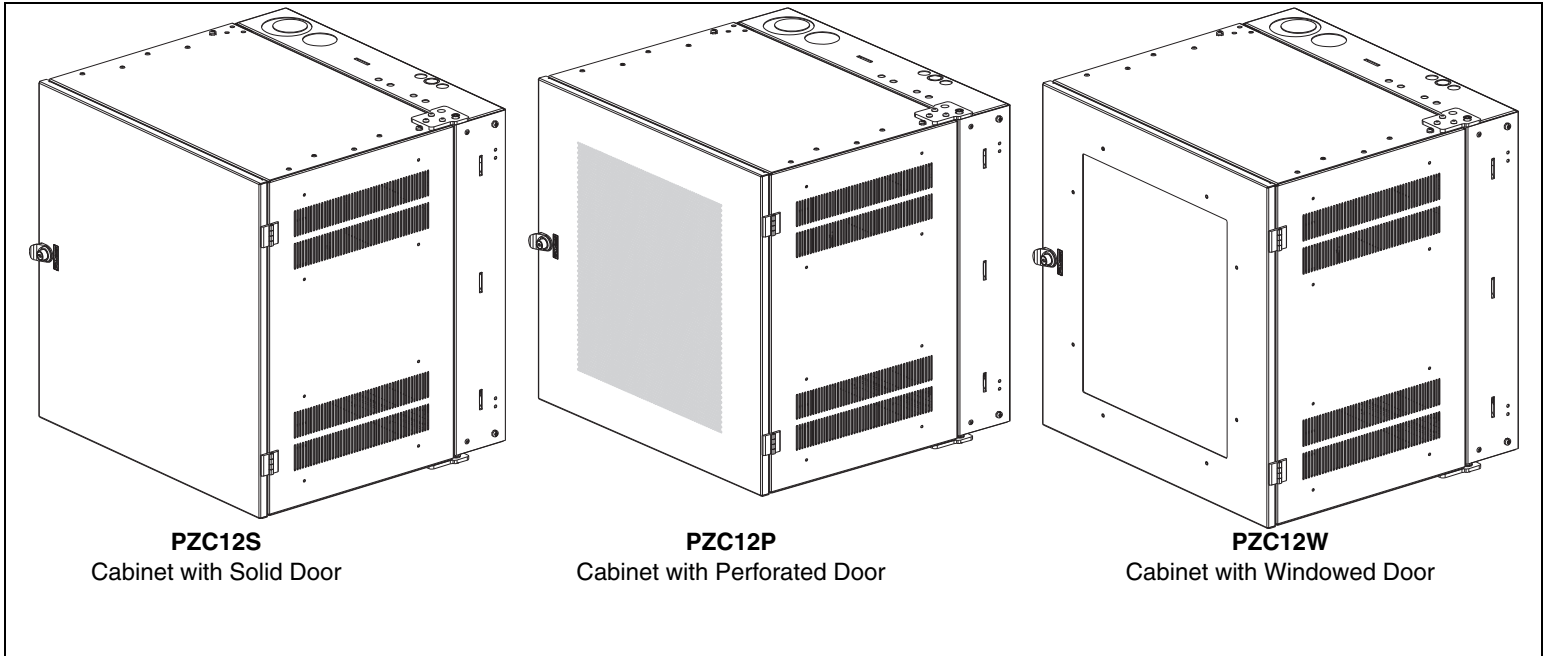
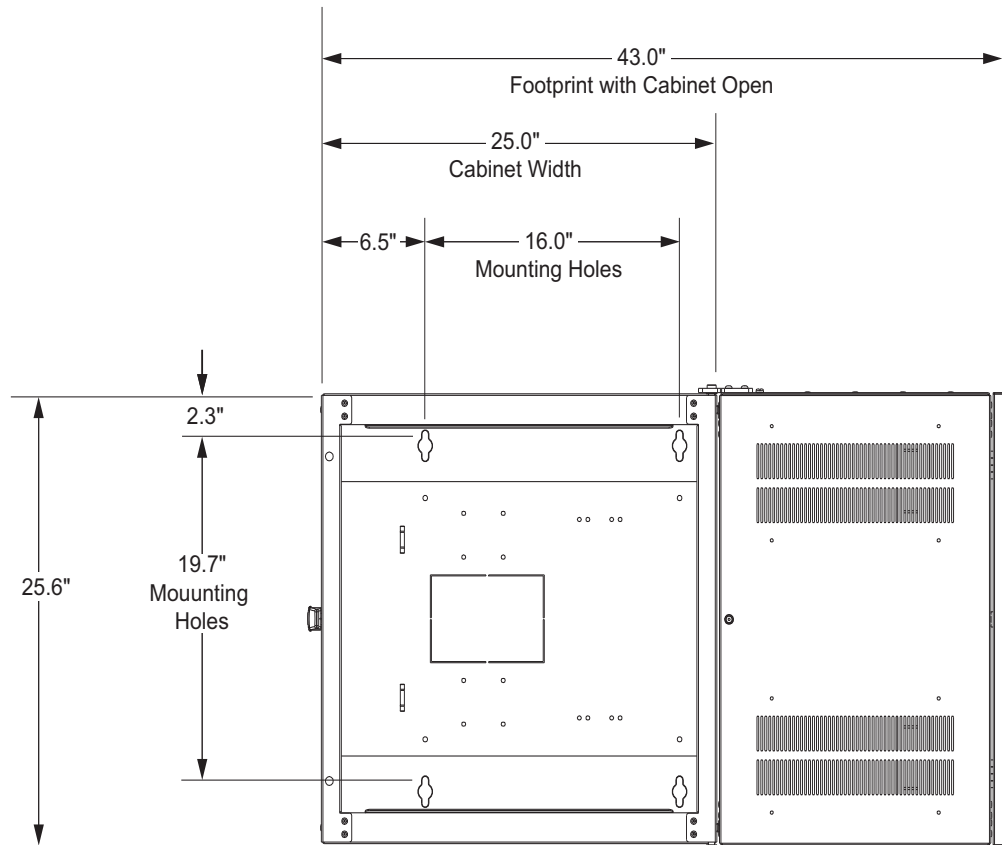


INSTRUCTIONS CM315A



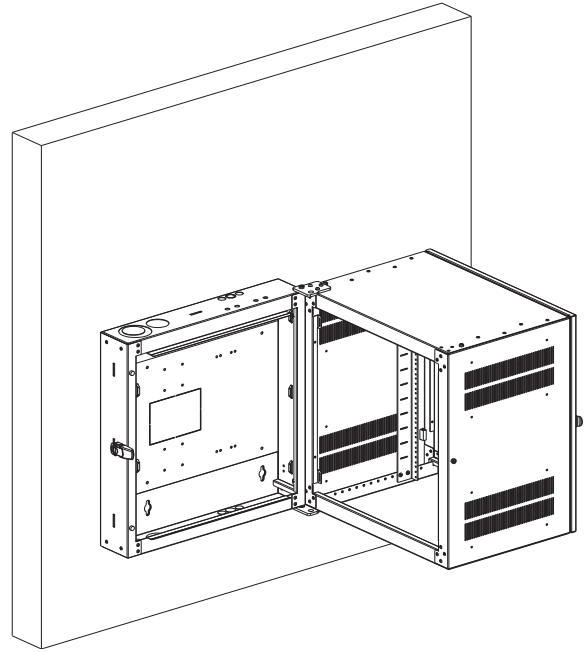
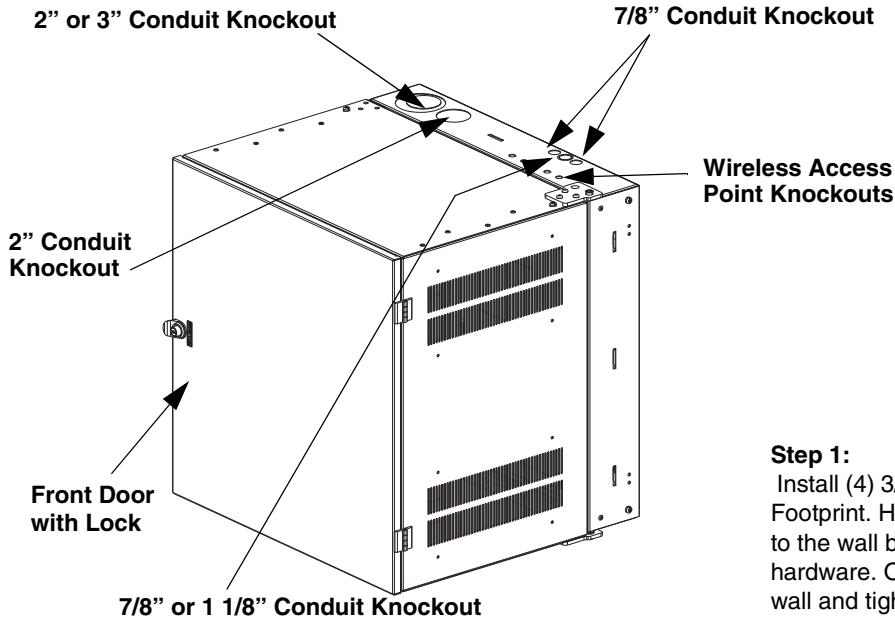
Location Footprint

Cabinet depth is 22.9" in closed position



INSTRUCTIONS CM315A

PANZONE Wall Mount Cabinets can be installed in a hinged right or hinged left application. For your installation, determine which side of the cabinet will hinge. The cabinet is shown hinged right. Rotate the cabinet 180 degrees for the left hinge application. Mounting surface must have **sufficient strength to support the cabinet with payload**. The mounting surface must also be flat and extend beyond the overall cabinet footprint.

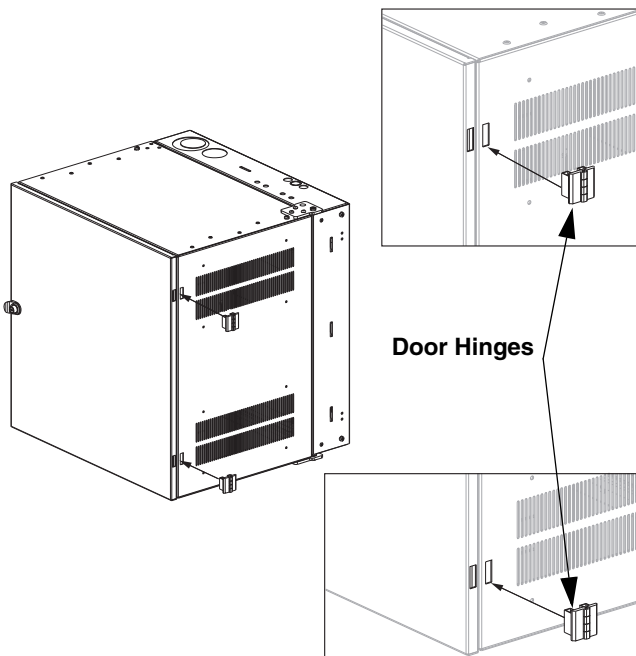


Step 1:

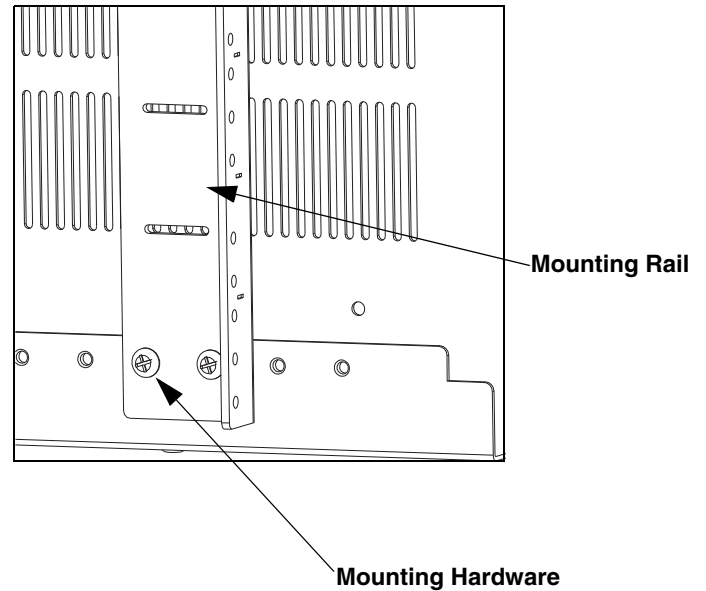
Install (4) 3/8" mounting hardware (not provided) as shown in Location Footprint. Hardware should protrude 3/8" from wall. Mount the cabinet to the wall by hooking the keyholes over the protruding 3/8" mounting hardware. Once the cabinet is in place, carefully swing cabinet from wall and tighten the hardware securely.

Step 2:

Install door by pressing (2) hinges provided in locations shown below.

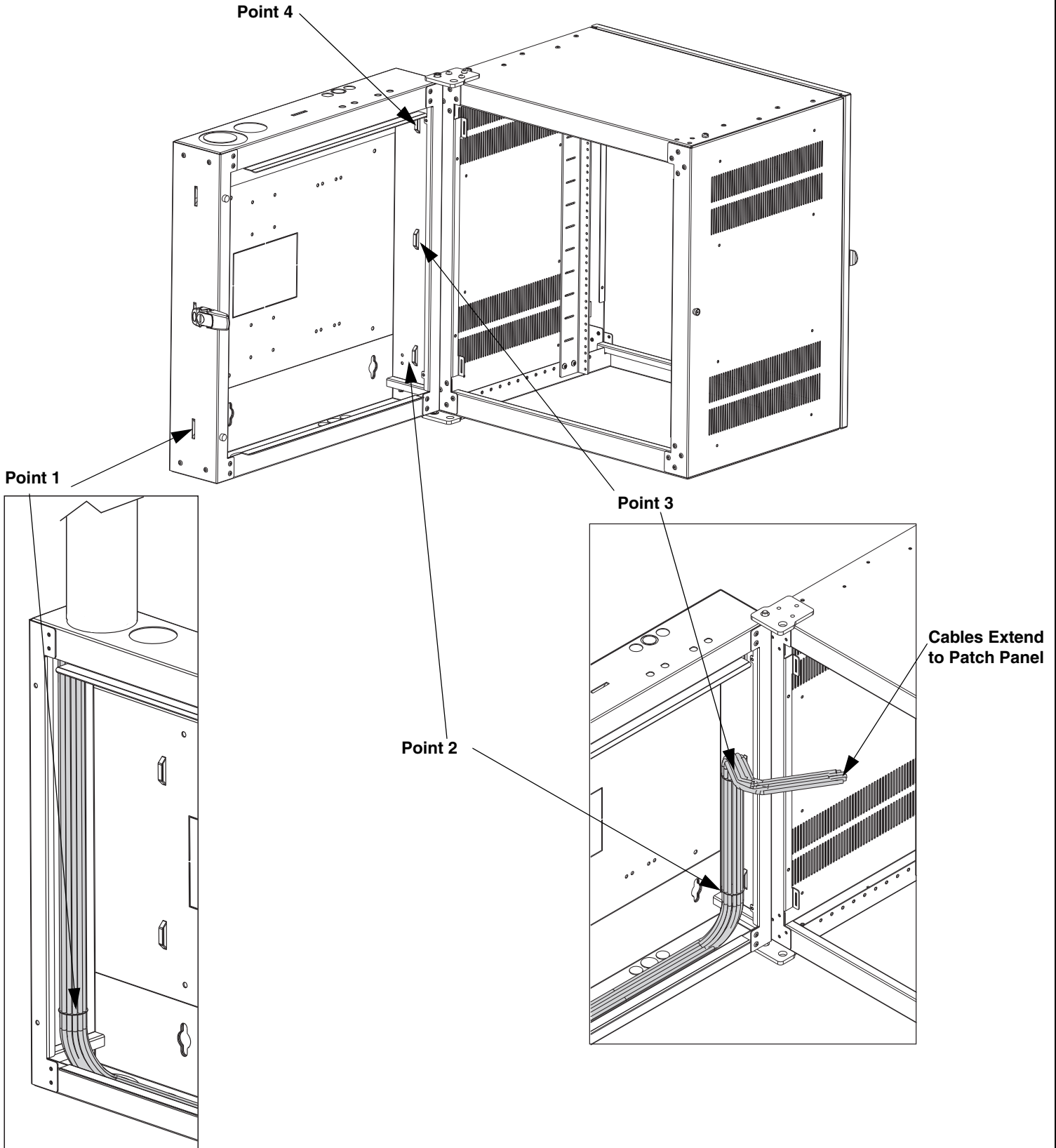


Step 3: To adjust the depth of the mounting rail for specific applications, remove the mounting screws and lockwashers, move the rail to the desired position and re-install mounting hardware.



Cable Routing

Cable must be routed with an adequate slack loop to prevent cable damage. Route cable to point 1 secure to tie down with a *TAC-TY*. Next route cable across the bottom of the enclosure to point 2 secure to tie down with a *TAC-TY*. Route to the desired patch panel after securing the cables with a Tac-Ty at point 3 or 4.



Optional Accessories

- PZC12S**
Cabinet with Solid Door
- PZC12P**
Cabinet with Perforated Door
- PZC12W (Shown)**
Cabinet with Window Door

