

INSTRUCTIONS CM698

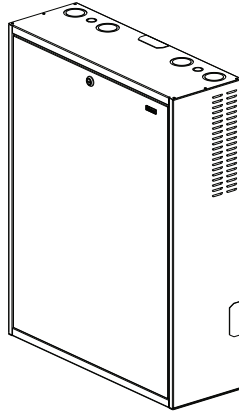
© Panduit Corp. 2013

NOTE - Some views in this document may vary slightly from your actual enclosure.

PZAEWM6E

List of Components:

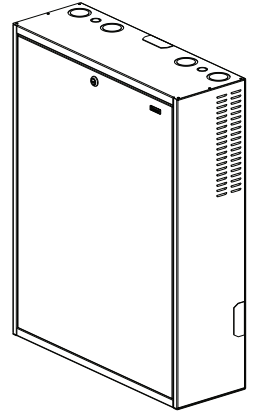
- (1) PZAEWM6E Enclosure
- (1) Panel Door
- (1) Installation Instruction
- (4) 3RU Equipment Mounting Brackets
- (2) M5 Button Head Torx Screws
- (10) M6 Hex Head Screws
- (6) Pack of [4] #12-24 Screws
- (1) Pack of [25] #12-24 Cage Nuts



PZBASE3E

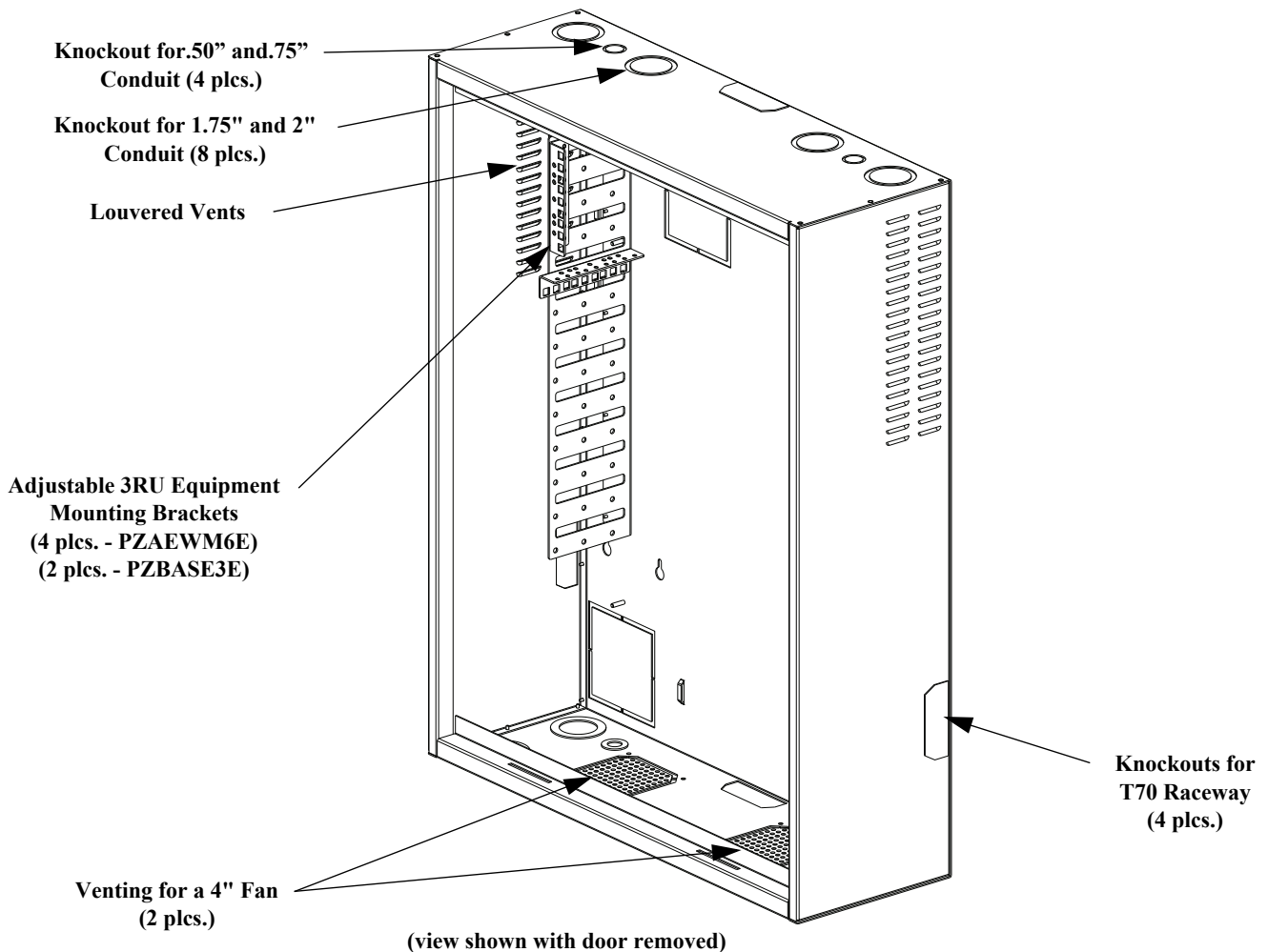
List of Components:

- (1) PZBASE3E Enclosure
- (1) Panel Door
- (1) Installation Instruction
- (2) 3RU Equipment Mounting Brackets
- (2) M5 Button Head Torx Screws
- (4) M6 Hex Head Screws
- (3) Pack of [4] #12-24 Screws
- (1) Pack of [12] #12-24 Cage Nuts



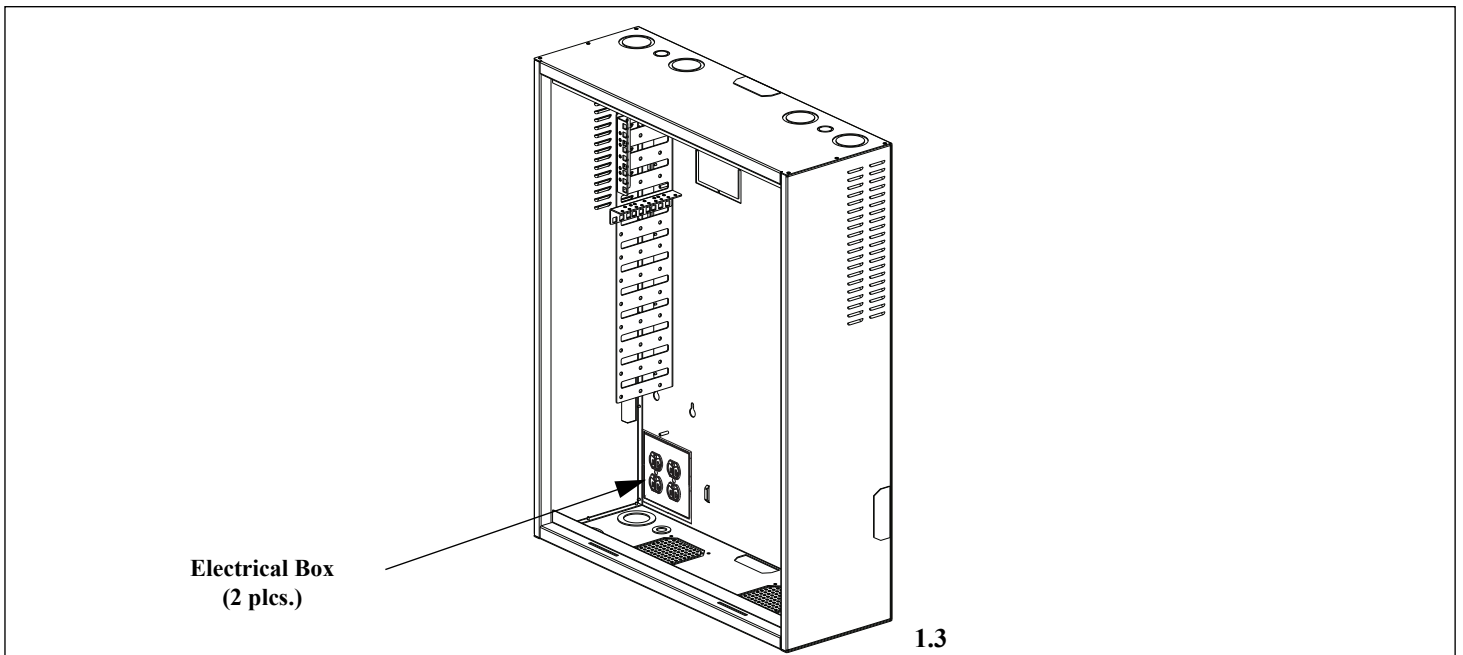
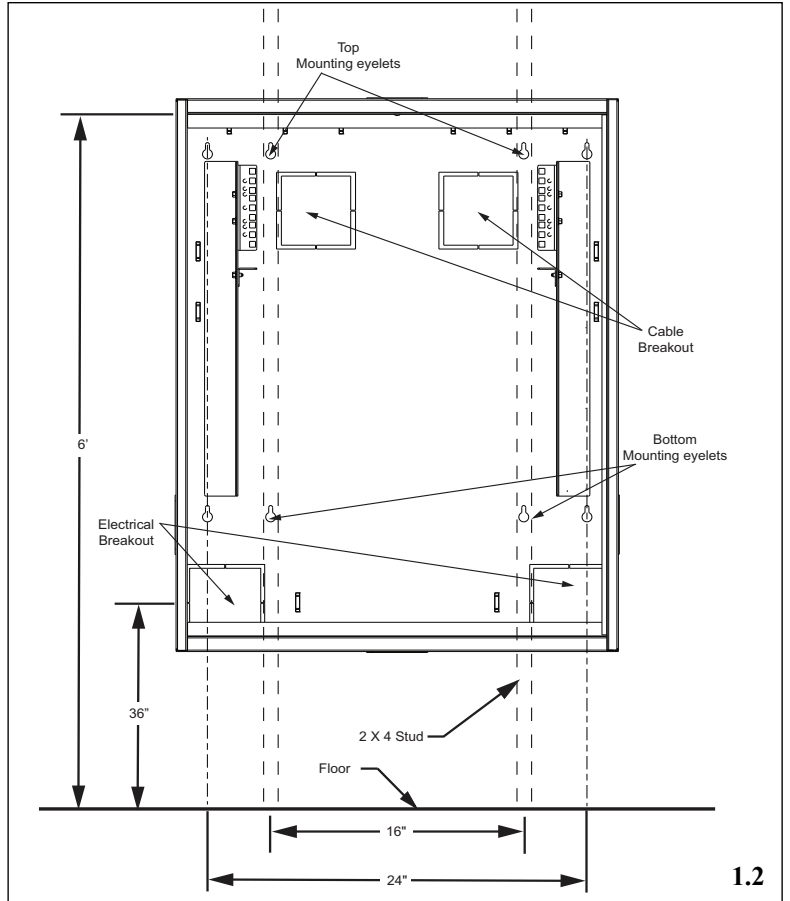
THIS PRODUCT HAS A MAXIMUM LOAD RATING OF 100 LBS.

THIS PRODUCT HAS A MAXIMUM LOAD RATING OF 60 LBS.



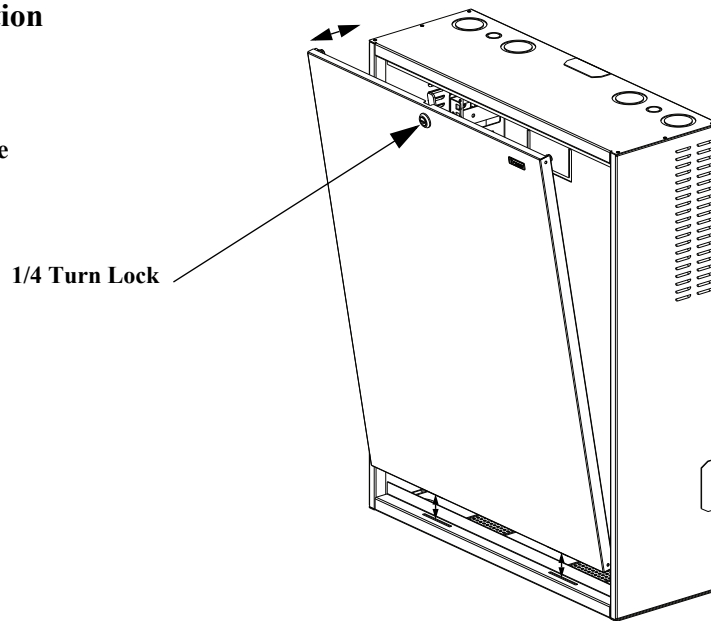
Step 1: Mounting Enclosure to Wall / Electrical Box Installation

- 1.1 Locate the wall studs (16" on center in most U.S. cases). PANDUIT recommends mounting the top of the enclosure at 6' from the floor.
- 1.2 Determine if you will be mounting the electrical box in the wall.
If Mounting Electrical Box in the Wall: Remove desired breakout from back of enclosure. After electrical box is completely installed, mount enclosure to wall using 4 screws. Enclosure designed to use #14 screws or M6 screws. (See figure 1.3)



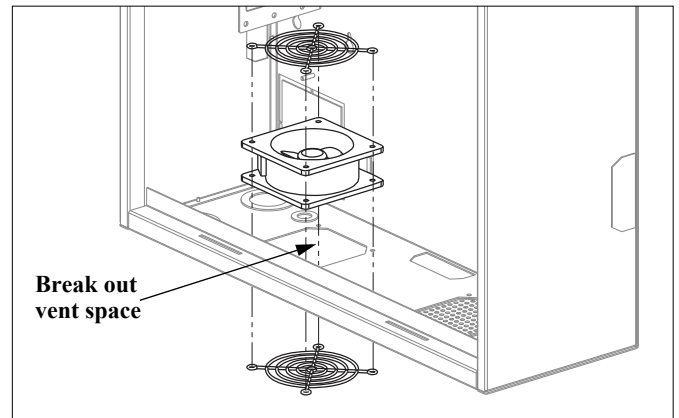
Step 2: Door Removal and Installation

- 2.1 Use key to turn lock 1/4 turn
- 2.2 Pull top of door away from enclosure
- 2.3 Lift door up and away from enclosure
- 2.4 Reverse steps to install door



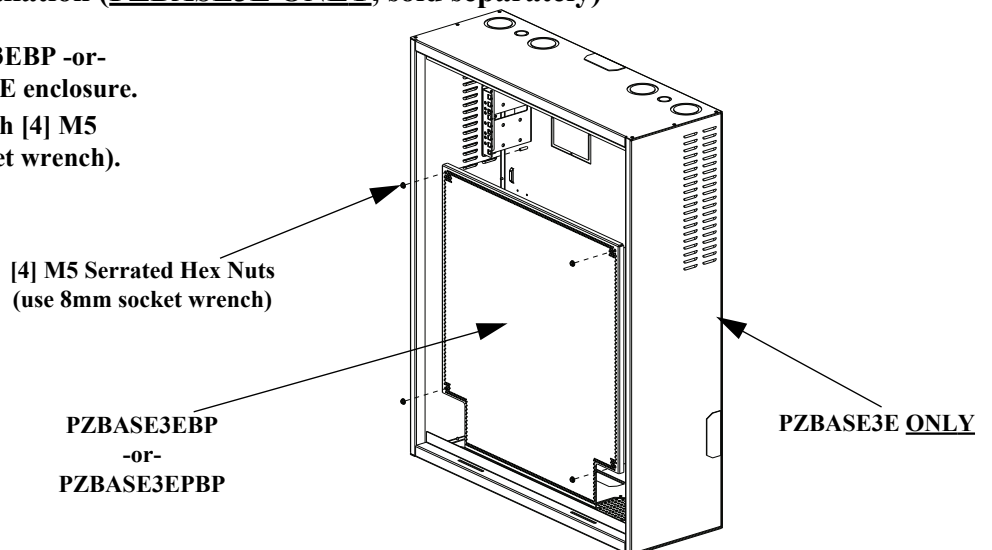
Step 3: Optional Fan Installation (if required, sold separately)

- 3.1 Break out vent space on bottom of enclosure.
- 3.2 Place fan over opening. Line up the bottom fan cover to the outside of enclosure and screw into place.
- 3.3 Line up top fan cover and screw into place.
- 3.4 Determine the length of the power cord that is desired. Strip back the insulation on the cord and terminate to the plug.
- 3.5 Attach the power cord. The fan can be plugged into an electrical box inside the enclosure.



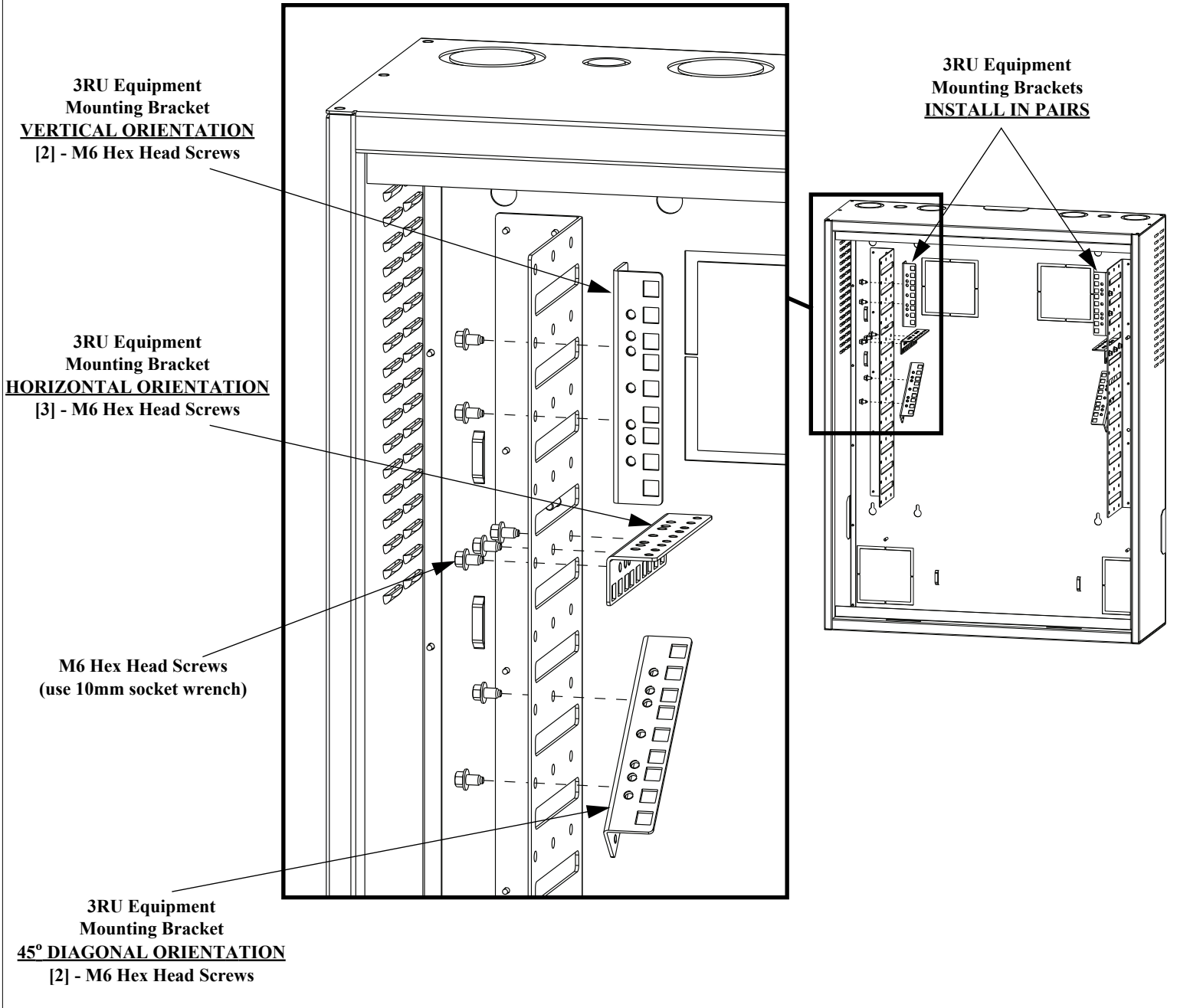
Step 4: Optional Back Plate Installation (PZBASE3E ONLY, sold separately)

- 4.1 Position Back Plate (p/n PZBASE3EBP -or- PZBASE3EPBP) inside PZBASE3E enclosure.
- 4.2 Secure Back Plate to enclosure with [4] M5 Serrated Hex Nuts (use 8mm socket wrench).



Step 5: 3RU Equipment Mounting Bracket Installation

- 5.1 Locate and install 3RU Equipment Mounting Brackets. Either Cage Nut cutouts or #12-24 tapped mounting holes can be used; brackets are reversible. Brackets mount in vertical, horizontal, or 45° diagonal positions.
- 5.2 Depending on bracket orientation, use number of M6 hex head screws listed below (use 10mm socket wrench).
- 5.3 Install brackets in pairs in mirrored locations on left and right sides of enclosure.



For Instructions in Local Languages
and Technical Support:
www.panduit.com/resources/install_maintain.asp



E-mail:
techsupport@panduit.com
Phone:
866-405-6654