



# **Panduit Basic Rack PDU**

## **User Manual**

**Release 1.0**  
**Issue 1.0**

Copyright © 2014 Panduit Corp. All rights reserved. No part of this book shall be reproduced, stored in a retrieval system, or transmitted by any means, electronic, mechanical, photocopying, recording or otherwise, without written permission from Panduit. No patent liability is assumed with respect to the use of the information contained herein.

Although every precaution has been taken in the preparation of this book, Panduit assumes no responsibility for errors or omissions. Neither is any liability assumed for damages resulting from the use of the information contained herein.

## Table of Contents

---

|   |          |
|---|----------|
| <b>Basic Rack PDUs</b> .....                          | <b>4</b> |
| Contacting Panduit .....                              | 4        |
| Symbols Used .....                                    | 4        |
| <b>Equipment Overview</b> .....                       | <b>5</b> |
| Model Numbering Format .....                          | 5        |
| Part Numbering Format .....                           | 6        |
| <b>Pre-Installation</b> .....                         | <b>7</b> |
| Product Inspection .....                              | 7        |
| <b>Installation</b> .....                             | <b>8</b> |
| Before You Begin .....                                | 8        |
| Hardwire PDU installation instructions .....          | 8        |
| Unterminated Cord PDU installation instructions ..... | 10       |
| Standard Accessories .....                            | 10       |
| Additional Required Items .....                       | 10       |

## Basic Rack PDUs

Panduit Basic Rack PDUs provide reliable power distribution to devices installed within a cabinet.





This equipment has been designed for connection to an IT power distribution system.

### Contacting Panduit

For technical support on PDU hardware and associated software, please contact Panduit Technical Support using one of the following methods:

- 1-866-721-5302 (toll-free), Monday-Friday, 7:30 am - 5:00 pm CST
- [systemsupport@panduit.com](mailto:systemsupport@panduit.com)

### Symbols Used

| Symbol  | Description                      |
|---|----------------------------------|
|  | Danger – Electric Shock Hazard   |
|  | Warning – Possible Safety Hazard |
|  | Primary Earth Ground             |
|  | Secondary Earth Ground           |
|   | ON                               |
| o   | OFF                              |

## Equipment Overview

The power inlet/cord(s) connects the PDU to the electrical power source. The LCD displays the current load for each input feed or electrical phase per input feed.

For IEC C-20 inlet PDUs, a customer-supplied cord is used for connection to the power source. The connection end to the PDU has an IEC C-19 plug for connection to the PDU.

The opposite end of the cord has a plug suitable for connecting to the customer-supplied receptacle. The cord and plug shall be rated for 20A in North America and 16A outside of North America. Make the connection to the PDU before connecting to the power source

## Model Numbering Format

This section describes the model numbering format used to identify equipment in the PDU series. PDU model numbers are:

- HD-YYYYVZZA
- HE-YYYYVZZA
- VD-YYYYVZZA
- VE-YYYYVZZA

The letters in the series represent values as defined in the table below.

| Letter | What It Represents                                     |
|--------|--|
| H      | Horizontal series                                      |
| V      | Vertical series  |
| D      | Basic - no monitoring or display provided              |
| E      | Metered - on board display only                        |
| YYY    | May be any number, 120-415, representing rated voltage |
| ZZ     | May be any number, 10-63, representing rated current   |

## Part Numbering Format

This section describes the part numbering format used to identify equipment in the PDU series. PDU devices are numbered using one of the following formats:

- H1M-ABCDEFGHJKLM
- V1M-ABCDEFGHJKLM

The H1M prefix indicates that the model is intended for horizontal mounting.  
The V1M prefix indicates that the model is intended for vertical mounting.

The remaining letters in the series represent values as defined in the table below.

| Letter | What It Represents   |
|--------|--|
| A      | Any numeral, 1-8, indicating the phase wiring for the output circuit breakers and receptacles                      |
| B      | Any letter, A-F, indicating input cord configuration   |
| CD*    | Any numeral, 1-5, and any letter, A-Z, indicating input plug type and rated voltage                                |
| E      | Any numeral, 1-7, indicating the number of output circuit breakers   |
| F      | Any letter, A-Z, indicating the type of overload protection provided for the outlets                               |
| GH     | Any two numerals, 01-45, indicating the number of output receptacles provided                                      |
| JK     | The letter 'A' or 'B' followed by any letter, A-Z, indicating the type and quantity of output receptacles provided |
| L      | Any numeral, 0-9, or any letter, A-Z, indicating the length of the power supply cord                               |
| M      | Any numeral, 0-9, indicating the color of the enclosure  |

\* Voltage and amperage ratings:

- 120V, single-phase, 10A, 12A, 15A, 16A, 20A, 24A or 30A
- 208V, single-phase, 10A, 12A, 13A, 15A, 16A, 20A, 24A, 30A, 48A or 60A
- 230V, single-phase, 16A, 32A, or 48A
- 208V, three-phase (delta), 16A, 20A, 24A, 30A, 40A, 48A, 50A or 60A, 3W + PE
- 208V, three-phase (wye), 16A, 20A, 24A, 30A, 48A or 60A, 3W + N + PE
- 400V, three-phase (wye), 16A, 20A, 24A, 30A, 32A, 48A or 60A, 3W + N + PE

## Pre-Installation

The Rack PDU products covered by this guide are designed to be installed within EIA racks and cabinets. Use of this product in other applications is acceptable, but other precautions may be required to allow for specific installations not covered by this guideline.

### Product Inspection

Inspect the product prior to installation. If the product has any visible signs of damage, please contact the supplier.

# Installation

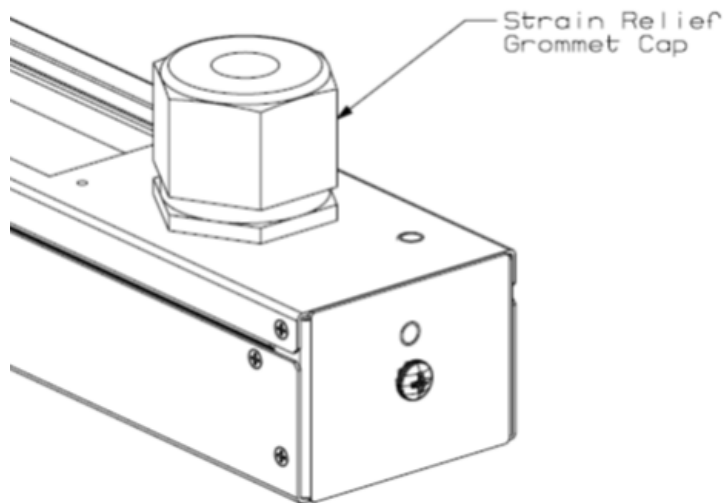
## Before You Begin

Before installing your PDU, refer to the following lists to ensure that you have all the items shipped with the unit as well as all other items required for proper installation.

## Hardwire PDU installation instructions

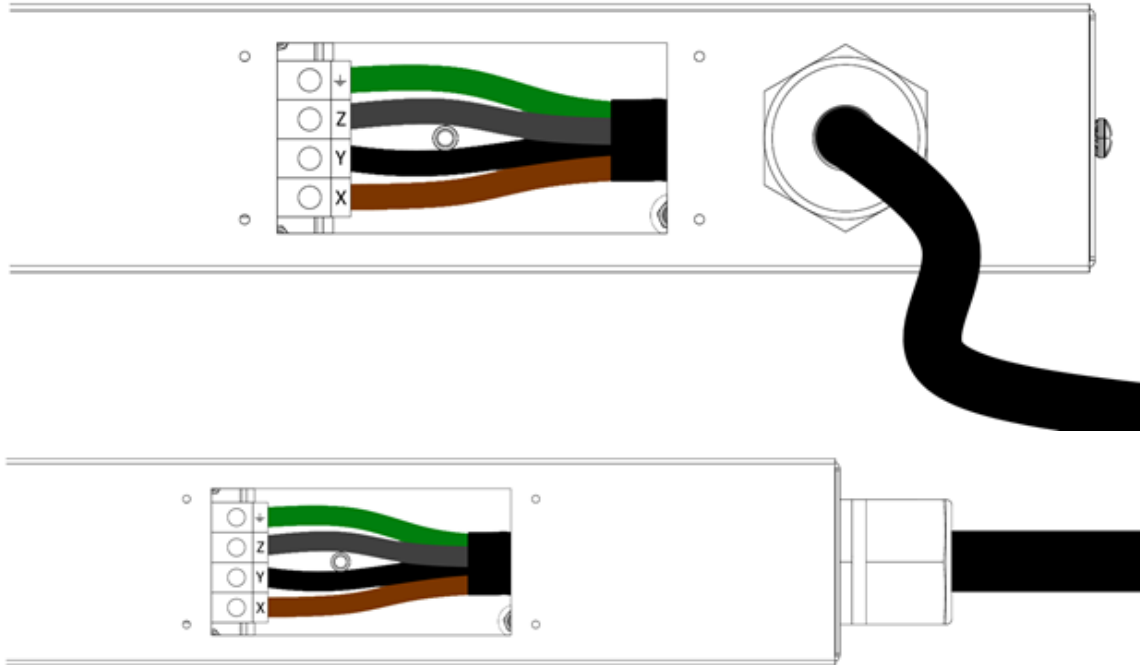
This product is intended to be hardwired by the customer must be installed by a qualified electrician AND adhere to all national & local electrical codes.

1. To install, remove the (4) securing screws on the removable user panel.
2. Unscrew strain relief grommet cap (indicated below) and feed the power cable through the grommet cap & the input gland.



3. Ensure conductors are stripped adequately, exposing 15mm of copper.
4. Conductors shall be connected in-line with the terminal markings provided as shown below (Line 1 = X; Line 2 = Y; Line 3 – Z). Ensure screws are secure for each conductor by applying a torque of 2.3 N-m (20 in-lb.).





5. Ensure conductors have enough slack (none should be under tension).
6. Feed grommet cap down cord and secure to input gland. Reference the table below to ensure the grommet cap is torqued correctly.

| Gland Size | Grommet Cap Torque  |
|------------|---------------------|
| M16        | 1.5 N-m (13 in-lb.) |
| M20        | 3.0 N-m (27 in-lb.) |
| M25        | 4.0 N-m (35 in-lb.) |
| M32        |                     |
| M40        | 15 N-m (132 in-lb.) |
| M50        | 20 N-m (177 in-lb.) |
| M63        | 30 N-m (266 in-lb.) |

7. Re-install removable cover plate with the screws removed in step 1.
8. Connect the other end of the power cord to a suitably rated disconnect device.
9. Switch utility circuit breaker “On”.

## Unterminated Cord PDU installation instructions

This product is intended to be hardwired by the customer must be installed by a qualified electrician AND adhere to all national & local electrical codes.

To install, match the corresponding conductor color to the matching phase in your facility. Reference the color guide below:

| Conductor Insulation Color        | Line Number / Phase |
|-----------------------------------|---------------------|
| Brown                             | Line1 / X           |
| Black                             | Line 2 / Y          |
| Grey                              | Line 3 / Z          |
| Blue                              | Neutral             |
| Green (may include Yellow stripe) | Ground              |

## Standard Accessories

Mounting hardware:

- Vertical models:  
Affixed button mounts
- Horizontal models:  
Appropriate local mounting brackets and screws

## Additional Required Items

- Flathead and Phillips screwdrivers
- Appropriate local AC power receptacle to power the PDU