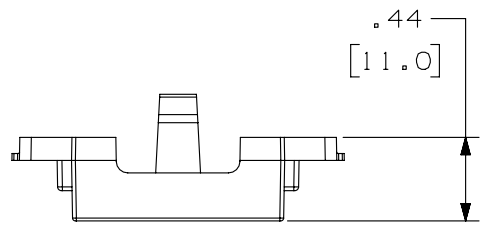


2

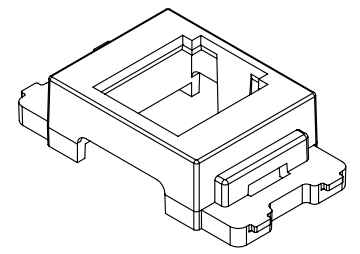
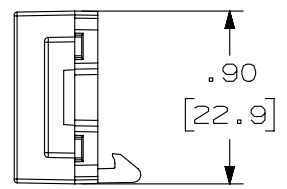
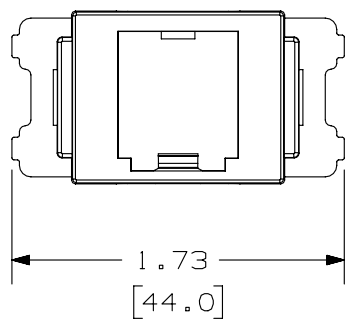
1

THIS COPY IS PROVIDED ON A RESTRICTED BASIS AND IS NOT TO BE USED IN ANY WAY DETRIMENTAL TO THE INTERESTS OF PANDUIT CORP.

PANDUIT P/N	WEIGHT
CMA**-X	.67 LB/100 PCS. (302 G/100 PCS.)



- NOTES:
1. SEE CURRENT CATALOG FOR ADDITIONAL PART SUFFIXES TO INDICATE COLOR AND OR PACKAGE QUANTITY.
  2. DIMENSIONS IN [ ] ARE IN METRIC.
  3. ADAPTER UTILIZES A SINGLE POSITION MINI-COM MODULE IN A JIS FACEPLATE.



PART NUMBER		CMA**-X	
TITLE			
MINI-COM 1 POSITION JIS ADAPTER			
CUSTOMER DRAWING			
ITEM REVISION NAME		D35544BV/00	
DATASET FILE NAME		D35544BV_DC_CMA/00B	
UNLESS OTHERWISE SPECIFIED, DIMENSIONAL TOLERANCES ARE: IN [ mm ]		MATERIAL:	
.x ± .03 [ .8 ]		ABS	
.xxx ± .010 [ .3 ]		DRAWING NUMBER:	
ANGLES ±		35544-20	
THIRD ANGLE PROJECTION		SHT 1 OF 1	
DRAWN BY	DATE	CHK	SCALE
TPC	10-16-96	CEF	NONE
REV	DATE	BY	CHK
2	5/1/14	JSP	REFR
APR	MMR	REVISED AND REDRAWN, PREVIOUS REVISIONS HAVE BEEN OMITTED.	
DESCRIPTION	ECN	SIZE	
		A	

D101000DA/14

2

1