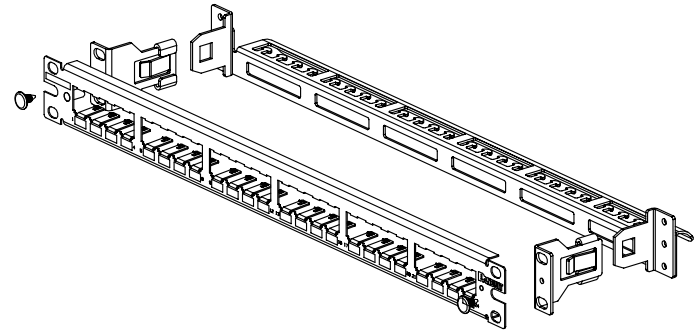
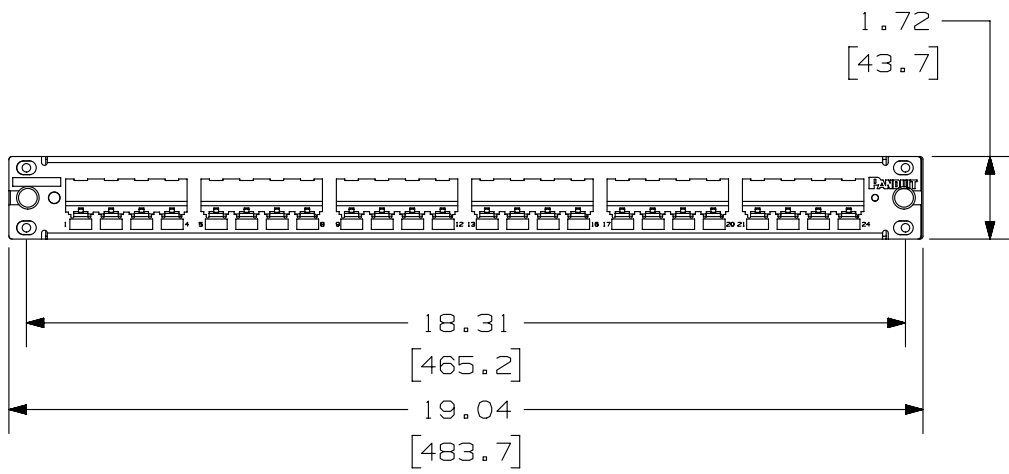
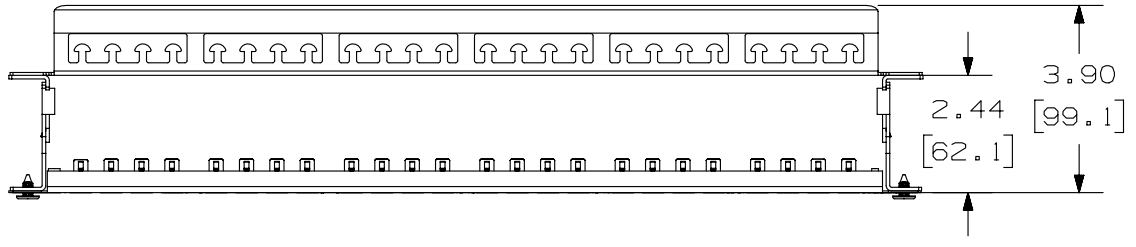


THIS COPY IS PROVIDED ON A RESTRICTED BASIS AND IS NOT TO BE USED IN ANY WAY DETRIMENTAL TO THE INTERESTS OF PANDUIT CORP.

PANDUIT P/N	WEIGHT
CP24WSBBK6TG**	1.23 LB/EACH PC (557.9 g/EACH PC)

- NOTES:
- SEE CURRENT CATALOG FOR ADDITIONAL PART NUMBER SUFFIXES TO INDICATE COLOR AND OR PACKAGE QUANTITY.
  - SEE CATALOG FOR COMPLETE LIST OF PARTS APPLICABLE FOR USE WITH THIS PART.
  - DIMENSIONS IN [ ] ARE IN METRIC.
  - PART INCLUDES:
    - 1- 24 PORT ALL METAL PATCH PANEL
    - 24- SHIELDED JACK
    - 24- CABLE TIE
    - 1- STRAIN RELIEF BAR
    - 1- #12-24 SCREW/WASHER KIT
    - 1- #12-24 SCREW KIT
    - 1- M6 SCREW KIT
    - 2- RATCHET FASTENER
    - 2- LATCH BRACKET
    - 2- TAB BRACKET (ASSEMBLED TO THE STRAIN RELIEF BAR)



PART NUMBER		CP24WSBBK6TG**	
TITLE			
PATCH PANEL KIT- INCLUDES PATCH PANEL (CP24**Y), STRAIN RELIEF BAR (SRBCT), QUICK RELEASE BRACKETS (SRBBRKT), AND 24 TX6 PLUS SHIELDED JACK MODULES			
CUSTOMER DRAWING			
ITEM REVISION NAME		M02644AD/00	
DATASET FILE NAME		M02644AD_DC04/00B	
UNLESS OTHERWISE SPECIFIED, DIMENSIONAL TOLERANCES ARE: IN [ mm ]		MATERIAL:	
.x ± .xx ± .03 [ .8 ]		PATCH PANEL: STAINLESS STEEL STRAIN RELIEF BAR: C.R.S. QUICK RELEASE BRACKETS: C.R.S.	
ANGLES ±		DRAWING NUMBER:	
THIRD ANGLE PROJECTION		02644-04	
DRAWN BY	DATE	CHK	SCALE
JSP	9-19-06	MJD	NONE
SHT 1 OF 1			SIZE
			A

REV	DATE	BY	CHK	APR	DESCRIPTION	ECN
1	3-14-14	SCAL	REFR	MMR	A. REVISED DRAWING TITLE BLOCK	02644-04
R	9-19-06	JSP	MJD	MJD	RELEASED TO PRODUCTION	02644-04

D10100DA/14