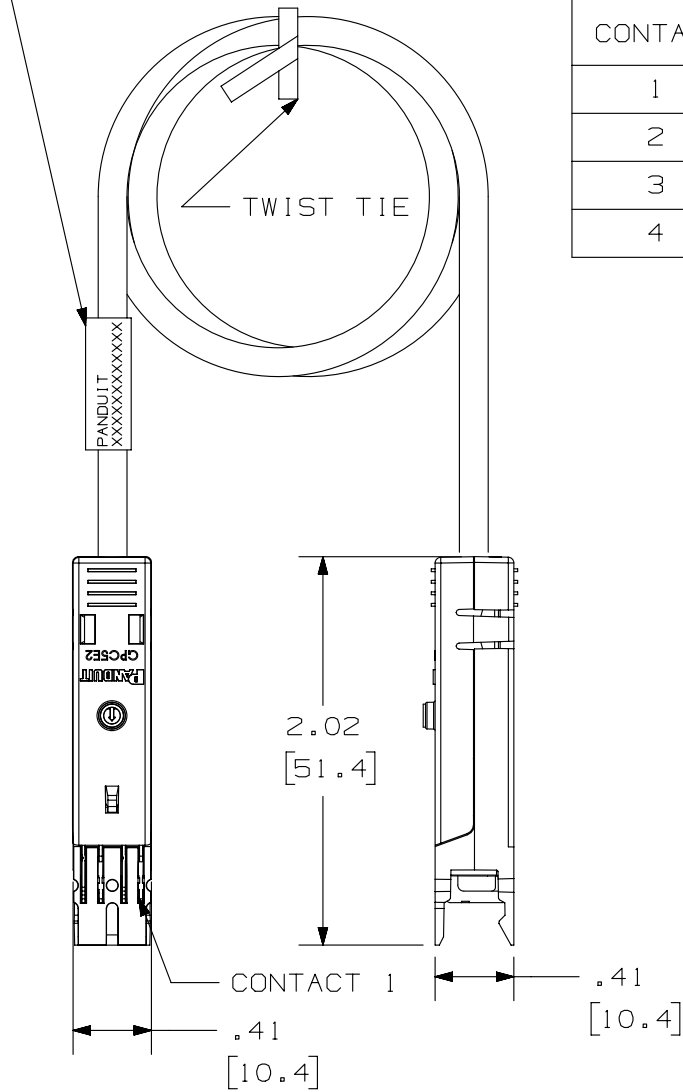


THIS COPY IS PROVIDED ON A RESTRICTED BASIS AND IS NOT TO BE USED IN ANY WAY DETRIMENTAL TO THE INTERESTS OF PANDUIT CORP.

IDENTIFICATION LABEL



| CONTACT | CABLE WIRE COLOR |
|---------|------------------|
| 1 | WHITE/BLUE |
| 2 | BLUE |
| 3 | WHITE/ORANGE |
| 4 | ORANGE |

NOTES:

- SEE CURRENT CATALOG FOR VARIOUS APPLICATIONS AND TO INDICATE PACKAGE QUANTITY.
- GP6 PLUS CONNECTORS ON BOTH ENDS. THE PATCH CORDS CAN BE USED WITH GP6 PLUS CONNECTING BLOCKS.
- FEATURES INCLUDE A CLEAR CAP TO ENSURE PROPER WIRE SEQUENCE AND CONNECTOR ORIENTATION. RETAINING CLIPS SECURE THE JACKET CLOSE TO THE POINT OF TERMINATION WHICH MINIMIZES WIRE UNTWISTING. INTEGRAL STRAIN RELIEF MINIMIZES STRESS ON WIRES DURING DISCONNECTION.
- POLARIZED TO PREVENT REVERSE INSTALLATION TO CONNECTOR BLOCK.
- CATEGORY 5 UNSHIELDED TWISTED PAIR CABLE WITH 24AWG STRANDED TINNED COPPER CONDUCTOR.
- DIMENSIONS IN [] ARE IN METRIC.

| PANDUIT P/N | MIN. CABLE LENGTH | WEIGHT |
|-------------|-------------------|---------------------------------------|
| GPPC21G3Y | 3 FT. | .998 LB/10 PCS (452.69 g/10 PCS) |
| GPPC21G5Y | 5 FT. | 1.505 LB/10 PCS (682.66 g/10 PCS) |
| GPPC21G7Y | 7 FT. | 1.856 LB/10 PCS (841.87 g/10 PCS) |
| GPPC21G9Y | 9 FT. | 2.125 LB/10 PCS (963.88 g/10 PCS) |
| GPPC21G14Y | 14 FT. | 3.029 LB/10 PCS (1373.93 g/10 PCS) |
| GPPC21G20Y | 20 FT. | 3.866 LB/10 PCS (1753.59 g/10 PCS) |
| GPPC21G1MY | 1 METER | 1.091 LB/10 PCS (495.07 g/10 PCS) |
| GPPC21G2MY | 2 METER | 2.183 LB/10 PCS (990.14 g/10 PCS) |
| GPPC21G3MY | 3 METER | 3.274 LB/10 PCS (1485.20 g/10 PCS) |
| GPPC21G5MY | 5 METER | 5.457 LB/10 PCS (2475.34 g/10 PCS) |

| | | | |
|---|---------|-----------------------|-------|
| PART NUMBER | | GPPC21GXY, GPPC21GXMY | |
| TITLE | | | |
| 2 PAIR GP6 PLUS PATCH CORD | | | |
| CUSTOMER DRAWING | | | |
| ITEM REVISION NAME | | M02479LA/00 | |
| DATASET FILE NAME | | M02479LA_DC288/00C | |
| UNLESS OTHERWISE SPECIFIED, DIMENSIONAL TOLERANCES ARE: IN [mm] | | MATERIAL: | |
| .x ± .xx ± .03 [.8] | | .xxx ± .010 [.3] | |
| ANGLES ± | | DRAWING NUMBER: | |
| THIRD ANGLE PROJECTION | | 02479-288 | |
| DRAWN BY | DATE | CHK | SCALE |
| TA | 3-18-06 | WJC | NONE |
| SHT 1 OF 1 | | | SIZE |
| | | | A |

| REV | DATE | BY | CHK | APR | DESCRIPTION | ECN |
|-----|---------|-----|------|-----|---------------------------------|-----------|
| 1 | 5/30/14 | JSP | REFR | MMR | A. REVISED DRAWING TITLE BLOCK. | 02479-288 |
| R | 3-18-06 | TA | WJC | RMD | RELEASED TO PRODUCTION | 02479-288 |

D10100DA/14