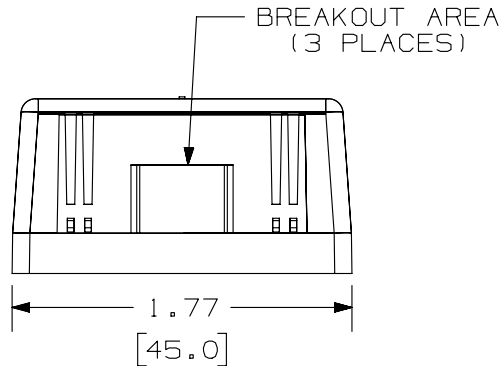
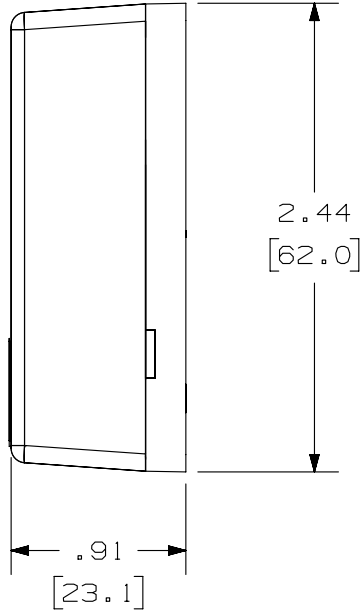
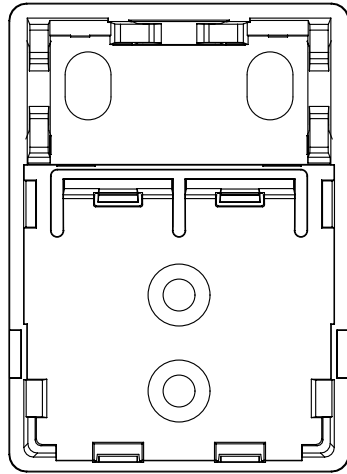


THIS COPY IS PROVIDED ON A RESTRICTED BASIS AND IS NOT TO BE USED IN ANY WAY DETRIMENTAL TO THE INTERESTS OF PANDUIT CORP.

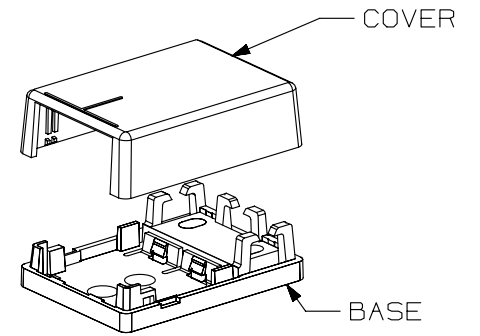
COVER REMOVED FOR CLARITY



PANDUIT P/N	WEIGHT
J025858Y	.86 LB/10 PCS (388.6 g/10 PCS)

NOTES:

- SEE CURRENT CATALOG FOR ADDITIONAL PART NUMBER SUFFIXES TO INDICATE COLOR AND OR PACKAGE QUANTITY.
- SEE CATALOG FOR A COMPLETE LIST OF PARTS APPLICABLE FOR USE WITH THIS PART.
- DIMENSIONS IN [] ARE IN METRIC.
- KIT INCLUDES:
 - 1- BOX COVER
 - 1- BOX BASE
 - 1- MAGNET (INSTALLED)
 - 2- MINI-COM MINI-JACK CATEGORY 5e MODULE
 - 1- DUST CAP
- BASE MATERIAL THICKNESS= .090 [2.29]



PART NUMBER		J025858Y	
TITLE			
MINI-COM 2 POSITION SURFACE MOUNT		BOX KIT	
CUSTOMER DRAWING			
ITEM REVISION NAME		M02479IE/00	
DATASET FILE NAME		M02479IE_DC215/00B	
UNLESS OTHERWISE SPECIFIED, DIMENSIONAL TOLERANCES ARE: IN [mm]		MATERIAL:	
.x ± .xx ± .03 [.8]		ABS	
.xxx ± .010 [.3]		DRAWING NUMBER:	
ANGLES ±		02479-215	
THIRD ANGLE PROJECTION		SHT 1 OF 1	
DRAWN BY	DATE	CHK	SCALE
MDJR	7-29-06	MJD	NONE
REV	DATE	BY	CHK
1	6/9/14	JSP	REFR
R	7-29-06	MDJR	MJD
DESCRIPTION		ECN	
A. REVISED DRAWING TITLE BLOCK.		02479-215	
RELEASED TO PRODUCTION		02479-215	

D10100DA/14