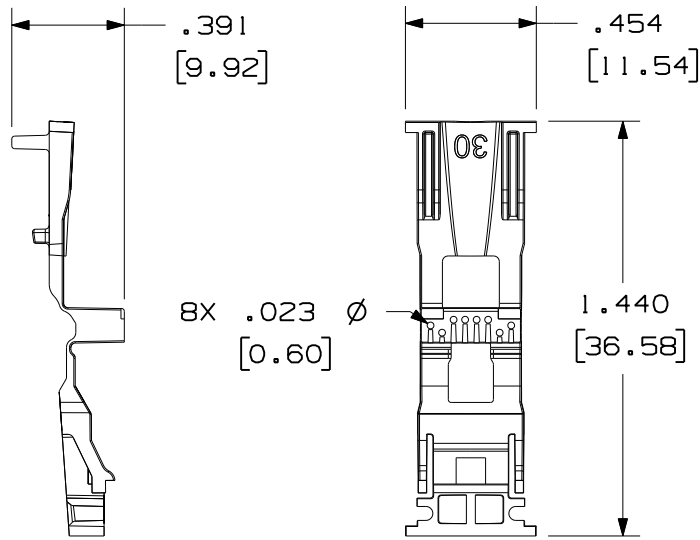


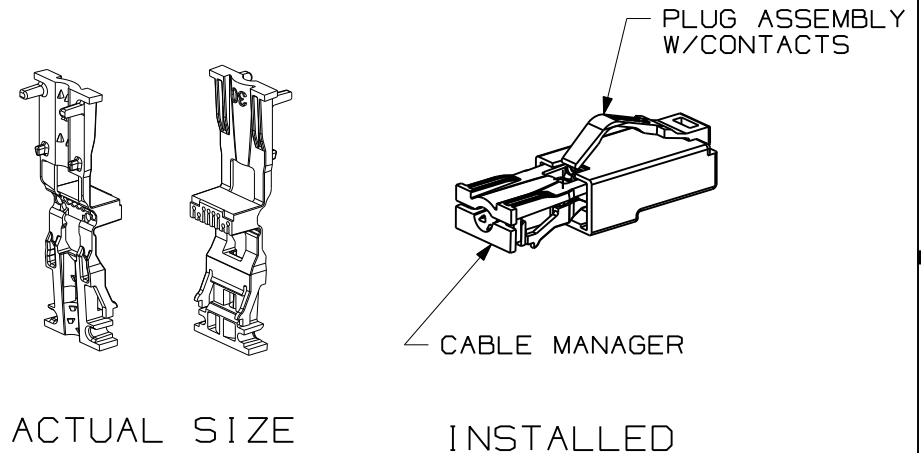
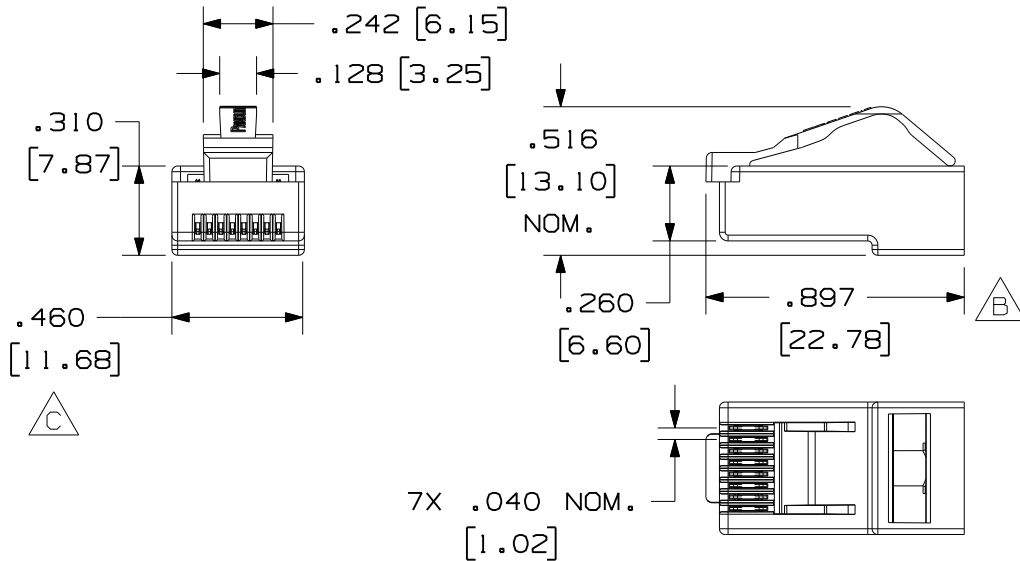
THIS COPY IS PROVIDED ON A RESTRICTED BASIS AND IS NOT TO BE USED IN ANY WAY DETRIMENTAL TO THE INTERESTS OF PANDUIT CORP.



PART NUMBER	WEIGHT (LBS)
MP530-*	.038 LB/10 PCS (17.3 g/10 PCS)

NOTES:

1. MATERIAL: HOUSING, ADAPTER - THERMOPLASTIC UL94V-0 RATED; CONTACT TERMINAL - PHOSPHOR BRONZE ELECTRO-POLISHED AND PLATED WITH .000050" MIN. GOLD IN PLATING AREA, GOLD FLASH OVER REMAINDER, .000100" MIN. NICKEL UNDERPLATE.
2. PLUG ACCEPTS 4 PAIR CABLE .122"-.130" DIAMETER WITH 30 AWG STRANDED CONDUCTORS WITH A MAXIMUM INSULATION DIAMETER OF .021".
3. MEETS DIMENSIONAL REQUIREMENTS OF FCC PART 68 AND IEC60603-7. ALL DIMENSIONS MAXIMUM UNLESS OTHERWISE SPECIFIED.
4. TERMINAL CONTACT HEIGHT DIMENSION: .237±.005".
5. SEE CURRENT CATALOG FOR ADDITIONAL PART NUMBER SUFFIXES TO INDICATE PACKAGE QUANTITY.



MODEL FILENAME		10M208BC/04 ^A	SIZE
DRAWING FILENAME		10M208BC_DC02/04B	^A
PAN-PLUG 30AWG CATEGORY 5e MODULAR PLUGS CUSTOMER DRAWING			
 TINLEY PARK, IL 60487			I.I. NUMBER
			PRODUCT SPEC/ PKG SPEC
 THIRD ANGLE PROJECTION			ASSY METHOD/ TEST METHOD
			SCALE
ALL DIMENSIONS ARE GIVEN IN INCHES, UNLESS OTHERWISE SPECIFIED. DIMENSIONAL TOLERANCES ARE: (.X) ±.06 (.XXX) ±.010 (.XX) ±.02 ANGLES ± 1°			PART NO.
DRAWN BY		BJN	SEE TABLE
DATE		3-8-11	
CHK'D		KSM	DRAWING NO.
REVIEW DRAWING NUMBERS		SEE NOTE 1	10M208BC-02
MATERIAL		SEE NOTE 1	

REV	DATE	BY	CHK	DESCRIPTION	ECN	R	CUST	SUP	OTH
2	11-16-11	BJN	KSM	C. CORRECTED WIDTH TO .460 B. ADDED OVERALL LENGTH DIM.	10M208BC-02	KSM	EJH		
1	10-10-11	BJN	WFMI	A. UPDATED MODEL TO REVISION 04	10M208BC-02	WFMI	EJH		
R	3-8-11	BJN	KSM	RELEASED TO PRODUCTION	10M208BC-02		SASK		