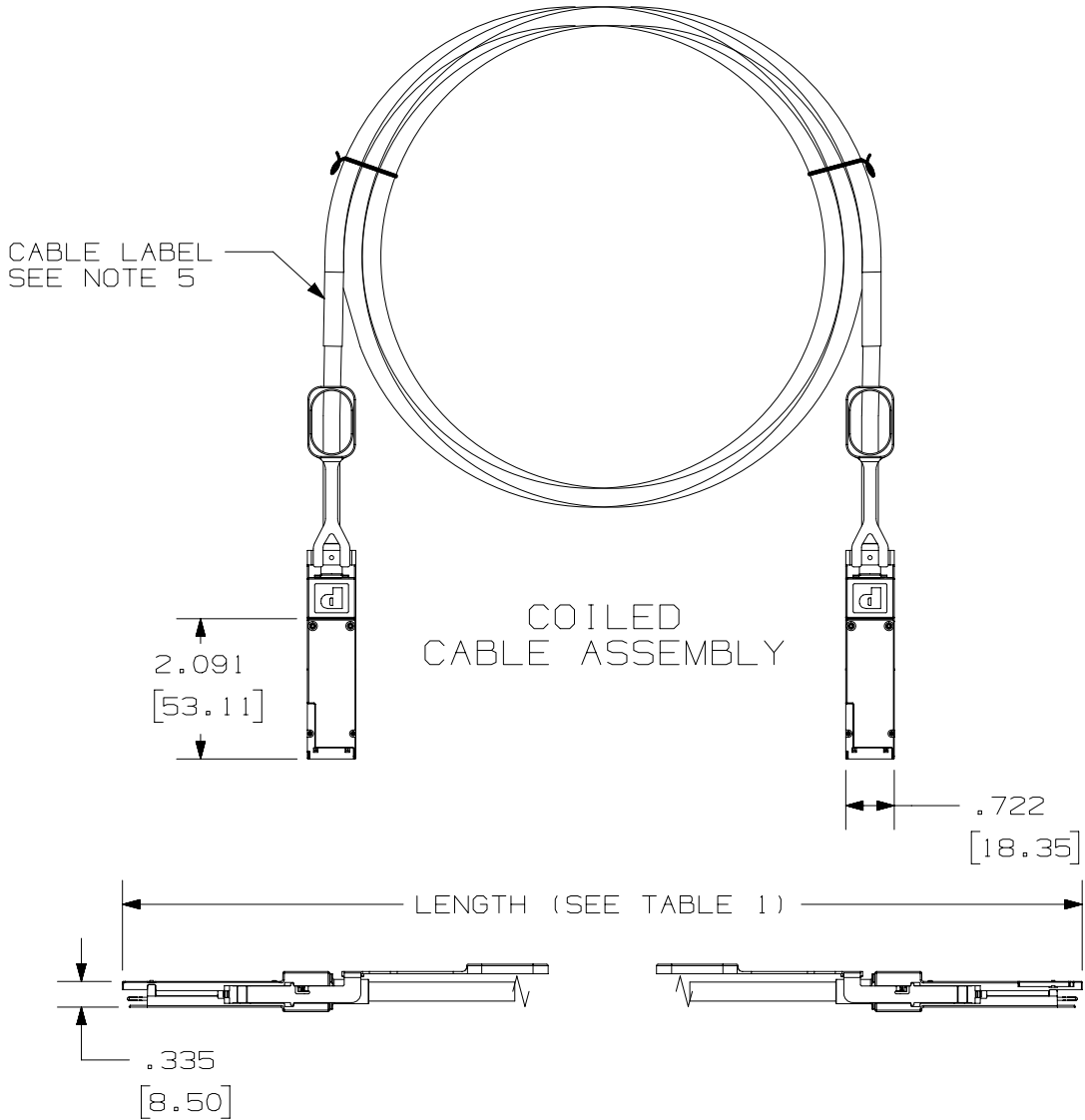


THIS COPY IS PROVIDED ON A RESTRICTED BASIS AND IS NOT TO BE USED IN ANY WAY DETRIMENTAL TO THE INTERESTS OF PANDUIT CORP.



NOTES:

1. VISIT OUR ON-LINE CATALOG AT WWW.PANDUIT.COM FOR A LIST OF CURRENT PARTS APPLICABLE FOR USE WITH THIS PRODUCT.
2. DIMENSIONS IN [] ARE METRIC.
3. PRODUCT DESCRIPTION:
 - A. 4 LANE, 10 Gbps/LANE
 - B. STANDARD QSFP CONNECTOR
 - C. CL2 RATED JACKET
 - D. JACKET COLOR: BLUE (BU)
4. MATES WITH QSFP SFF-8436 INTERFACE
5. CABLE LABEL CONTAINS PRODUCT DESCRIPTION, PART NUMBER, LENGTH AND WIRE GAUGE, AND MANUFACTURING SERIAL NUMBER.

TABLE 1
CABLE ASSEMBLY

PART NUMBER	LENGTH METERS (+.15, -0)	LENGTH FEET (+.5, -0)	CABLE AWG
PQSFPXA0.5M**	0.5	1.7	30
PQSFPXA1M**	1	3.3	30
PQSFPXA1.5M**	1.5	4.9	30
PQSFPXA2M**	2	6.6	30
PQSFPXA3M**	3	9.8	30
PQSFPXB4M**	4	13.1	28
PQSFPXC5M**	5	16.4	26
PQSFPXD6M**	6	19.7	24

** -CABLE JACKET COLOR (BLUE [BU], BLACK [BL], WHITE [WH])

PART NUMBER		SEE TABLE 1			
TITLE				QSFP CABLE ASSEMBLY	
CUSTOMER DRAWING					
ITEM REVISION NAME		M03269ZF/06		PANDUIT	
DATASET FILE NAME		M03269ZF_DS09/06A			
UNLESS OTHERWISE SPECIFIED, DIMENSIONAL TOLERANCES ARE: IN (mm)				MATERIAL:	
.X ± .XX ±				.XXX ± ANGLES ±	
THIRD ANGLE PROJECTION				DRAWING NUMBER:	
				03269-09	
DRAWN BY	DATE	CHK	SCALE	SHT 1 OF 2	
MDJr	10-09-08		NONE	A	

REV	DATE	BY	CHK	APR	DESCRIPTION	ECN
5	1-25-18	BJN	SWL	RWB	UPDATED TABLE 1 & NOTES	03269-09
4	1-24-17	BJN	SCAL	DFP	DISCONTINUED PQSFPQD7MBU	03269-09
3	4-7-16	BJN	JAV	DFP	UPDATED	03269-09

D10100DA/14

THIS COPY IS PROVIDED ON A RESTRICTED BASIS AND IS NOT TO BE USED IN ANY WAY DETRIMENTAL TO THE INTERESTS OF PANDUIT CORP.

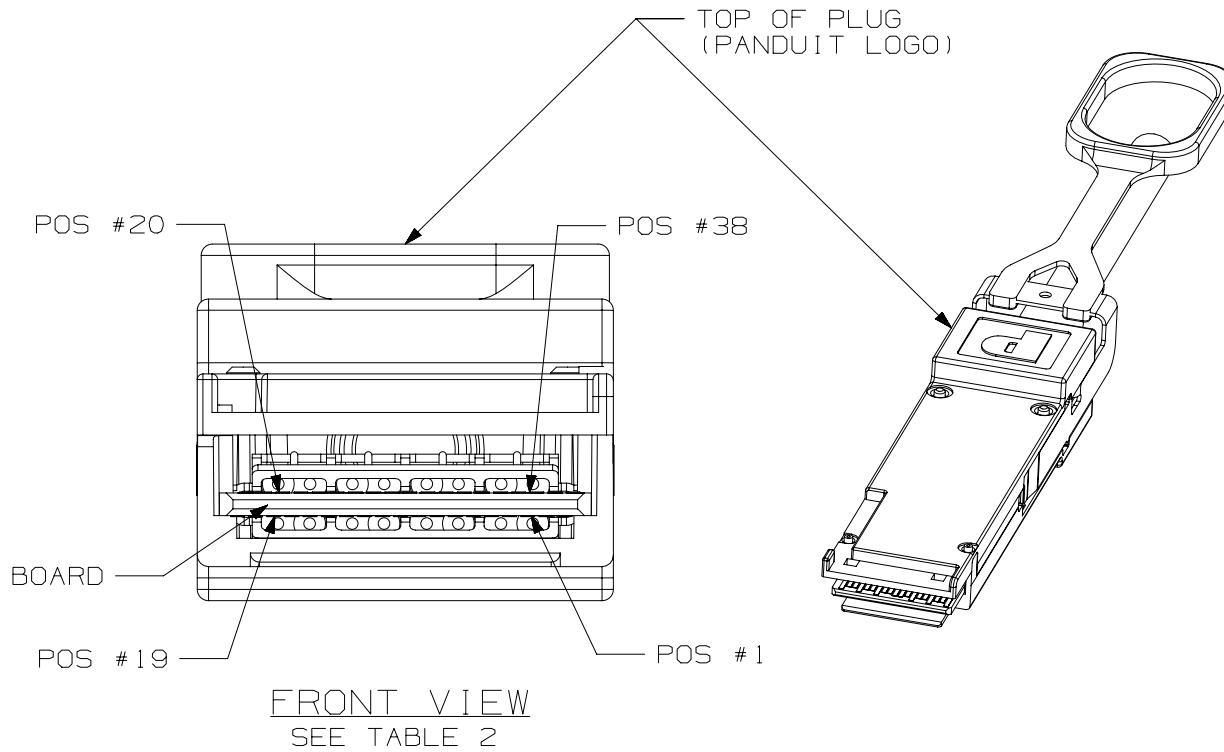
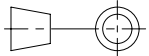


TABLE 2
PINOUT DIAGRAM

BOTTOM SIDE		TOP SIDE	
POS #	SIGNAL	POS #	SIGNAL
1	GND	20	GND
2	TX2-	21	RX2-
3	TX2+	22	RX2+
4	GND	23	GND
5	TX4-	24	RX4-
6	TX4+	25	RX4+
7	GND	26	GND
8	MODSELL	27	MODPRSL
9	RESETL	28	INTL
10	VCC RX	29	VCC TX
11	SCL	30	VCC I
12	SDA	31	LPMODE
13	GND	32	GND
14	RX3+	33	TX3+
15	RX3-	34	TX3-
16	GND	35	GND
17	RX1+	36	TX1+
18	RX1-	37	TX1-
19	GND	38	GND

PART NUMBER		SEE TABLE 1	
TITLE			
QSFP CABLE ASSEMBLY			
CUSTOMER DRAWING			
ITEM REVISION NAME		M03269ZF/06	
DATASET FILE NAME		M03269ZF_DS09/06A	
UNLESS OTHERWISE SPECIFIED, DIMENSIONAL TOLERANCES ARE: IN (mm)		PANDUIT	
.X ± .XX ±			
.XXX ± ANGLES ±		SEE NOTES	
		DRAWING NUMBER: 03269-09	
DRAWN BY	DATE	CHK	SCALE
MDJr	10-09-08	WMA	NONE
REV		SHT 2 OF 2	
DATE		SIZE	
		A	

REV	DATE	BY	CHK	APR	DESCRIPTION	ECN
5	1-25-18	BJN	SWL	RWB	SEE SHEET 1 FOR REVISION HISTORY	03269-09
4	1-24-17	BJN	SCAL	DFP	SEE SHEET 1 FOR REVISION HISTORY	03269-09
3	4-7-16	BJN	JAV	DFP	SEE SHEET 1 FOR REVISION HISTORY	03269-09

D10100DA/14