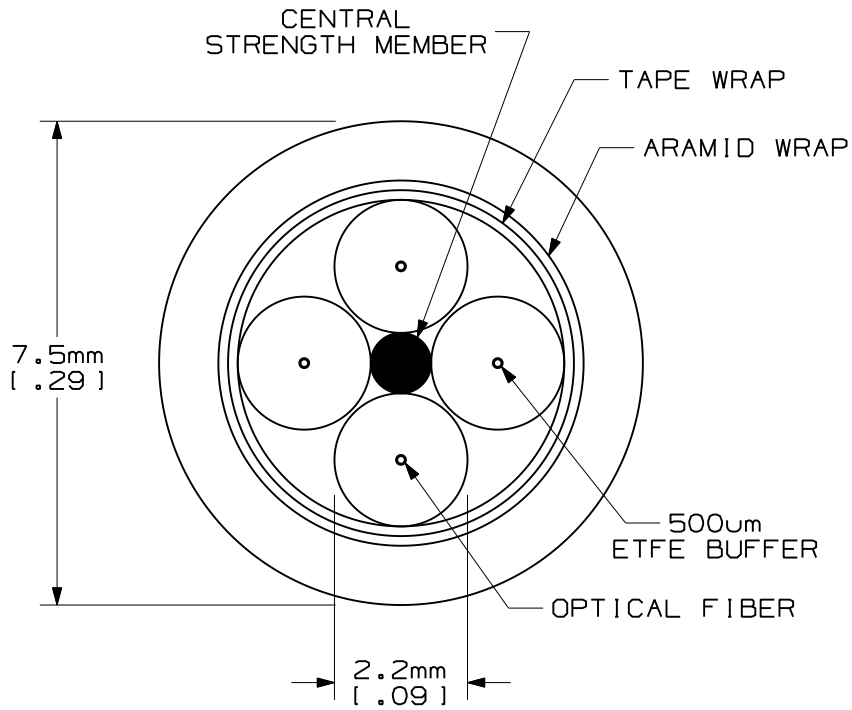


THIS COPY IS PROVIDED ON A RESTRICTED BASIS AND IS NOT TO BE USED IN ANY WAY DETRIMENTAL TO THE INTERESTS OF PANDUIT CORP.



BREAKOUT TUBE COLORS	
2 FIBER	BLUE, ORANGE, 2 FILLER TUBES
4 FIBER	BLUE, ORANGE, GREEN, BROWN

PART NUMBER	FIBER TYPE	FIBER COUNT	WEIGHT
F12D102	62.5/200/230 OM1 POLYMER COATED FIBER	2	50 kg/km (7LBS/kft)
F12D104		4	
F12D202	50/200/230 OM2 POLYMER COATED FIBER	2	
F12D204		4	

TECHNICAL SPECIFICATIONS			
MAXIMUM ATTENUATION			
850nm		1300nm	
5dB/km		3dB/km	
TENSILE LOAD		BEND RADIUS	
INSTALLATION	LONG TERM	INSTALLATION	LONG TERM
400 N (90 lbs)	200 N (45 lbs)	113mm (4.45 in)	75mm (2.95 in)
TEMPERATURE			
INSTALLATION/OPERATION		STORAGE	
-20°C TO 80°C -4°F TO 176°F		-40°C TO 80°C -40°F TO 176°F	

NOTES:

- CABLE JACKET MEETS UL1666 FOR RISER RATING AND THE REQUIREMENTS OF IEC 60332, IEC 61034 AND IEC 60754 FOR LSZH FLAME RATING.
- DIAMETER DIMENSION, SHOWN FOR REFERENCE ONLY.
- DIMENSIONS IN BRACKETS (in) ARE ENGLISH.
- ALL MATERIALS AND COMPONENTS USED MEET THE MATERIAL RESTRICTIONS OF RoHS (EUROPEAN DIRECTIVE 2002/95/EC ON THE RESTRICTION OF HAZARDOUS SUBSTANCES) AS PROPOSED BY THE RoHS TECHNICAL ADAPTATION COMMITTEE.

TITLE		2 AND 4 FIBER BREAKOUT PCF STYLE CABLE	
ITEM REVISION NAME		CUSTOMER DRAWING	
11F159EF/00 PCF 4 FIBER CABLE		PANDUIT TM	
DATASET FILE NAME			
11F159EF_DC/00A		MATERIAL:	
UNLESS OTHERWISE SPECIFIED, DIMENSIONAL TOLERANCES ARE: IN (mm)		SEE NOTE 4	
.x : .1 (.254) .xxx : .005 (.127)		DRAWING NUMBER:	
.xx : .01 (.25) ANGLES : 5 °		11F159EF - DC	
		THIRD ANGLE PROJECTION	
DRAWN BY	DATE	CHK	SCALE
MC	07-09-12	WMA	NONE
REV		SHT 1 OF 1	
A		A	

REV	DATE	BY	CHK	APR	DESCRIPTION	ECN
R	09-18-12	SAT	WMA	TCB	RELEASED TO PRODUCTION	11F159EF-DC

D10100DA/11