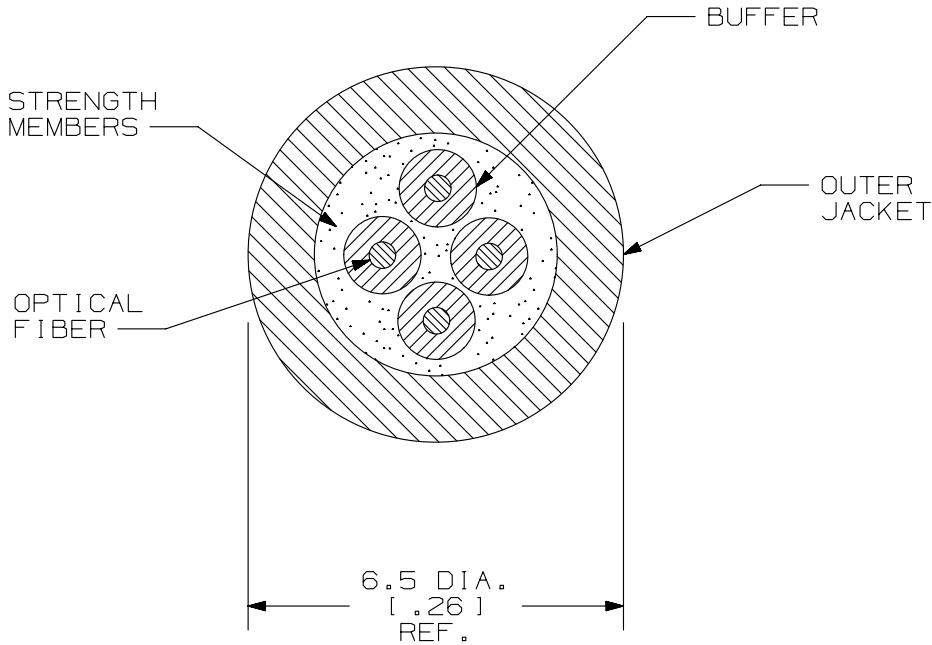


THIS COPY IS PROVIDED ON A RESTRICTED BASIS AND IS NOT TO BE USED IN ANY WAY DETRIMENTAL TO THE INTERESTS OF PANDUIT CORP.


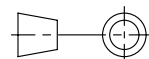
CABLE DESCRIPTION		
FIBER OPTIC SINGLE STRAND DISTRIBUTION CABLE		
PART NUMBERS AVAILABLE	FIBER TYPE	JACKET RATING
FPKL904	SINGLEMODE 9/125um	LSZH
FPKL604	MULTIMODE 62.5/125um OM1	LSZH
FPKL504	MULTIMODE 50/125um OM2	LSZH
FQKLX04	MULTIMODE 50/125um OM3	LSZH
FQKLX04	MULTIMODE 50/125um OM4	LSZH

TECHNICAL SPECIFICATIONS		
MULTIMODE MAXIMUM LOSS	BEND RADIUS	
3.5 dB/KM @ 850nm 1.5 dB/KM @ 1300nm	INSTALLATION	LONG TERM
	50 mm (1.97 in)	100 mm (3.94 in)
SINGLEMODE MAXIMUM LOSS	TENSILE LOAD - LSZH RATED	
.75 dB/KM @ 1310nm .75 dB/KM @ 1500nm	INSTALLATION	LONG TERM
	1500 N (337 lbf)	500 N (112 lbf)
TEMPERATURE		
INSTALLATION	OPERATION	STORAGE
-20° C TO +70° C -4° F TO +158° F	-20° C TO +70° C -4° F TO +158° F	-40° C TO +75° C -40° F TO +167° F



NOTES:

1. DIAMETER DIMENSION SHOWN FOR REFERENCE ONLY.
2. DIMENSIONS IN BRACKETS [ ] ARE ENGLISH.
3. FOR PART NUMBERS AND LENGTHS OTHER THAN THOSE SHOWN, CONTACT YOUR PANDUIT SALES PERSON.
4. CABLE IS NOT LONGITUDINALLY WATER-BLOCKED.

						TITLE		FIBER OPTIC SINGLE STRAND 4 FIBER INDOOR/OUTDOOR CABLE WITH 900um BUFFERED FIBERS					
						CUSTOMER DRAWING		 PART NO. SEE TABLE DRAWING NUMBER: M02432CG-DC					
						ITEM REVISION NAME						M02432CG/00	
						DATASET FILE NAME						M02432CG_DC/00A	
						UNLESS OTHERWISE SPECIFIED, DIMENSIONAL TOLERANCES ARE: IN [mm]						.x ± .xxx ± .010 [0.3]	
						.xx ± .03 [0.8]		ANGLES ±					
00	01-31-14	SAT	WMA	TCB	RELEASED TO PRODUCTION	M02432CG-DC		 THIRD ANGLE PROJECTION					
REV	DATE	BY	CHK	APR	DESCRIPTION	ECN	DRAWN BY	DATE	CHK	SCALE	DRAWING NUMBER:	SIZE	
							SAT	01-31-14	WMA	NONE	SHT 1 OF 1	A	