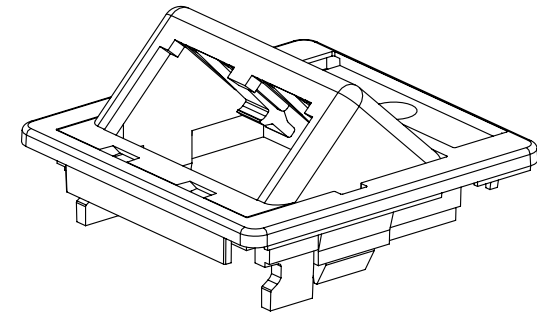
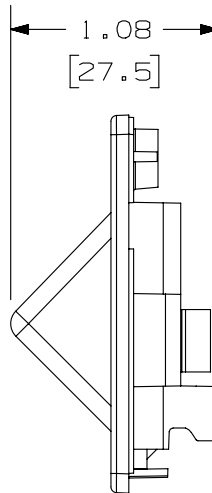
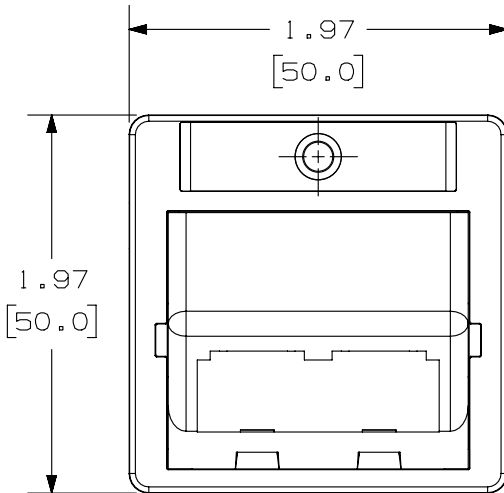


THIS COPY IS PROVIDED ON A RESTRICTED BASIS AND IS NOT TO BE USED IN ANY WAY DETRIMENTAL TO THE INTERESTS OF PANDUIT CORP.

PANDUIT P/N	WEIGHT
CFPAGS2**Y	.75 LB/10 PCS (338.0 g/10 PCS)

NOTES:

- SEE CURRENT CATALOG FOR ADDITIONAL PART NUMBER SUFFIXES TO INDICATE COLOR AND OR PACKAGE QUANTITY.
- SEE CATALOG FOR COMPLETE LIST OF PARTS APPLICABLE FOR USE WITH THIS PART.
- DIMENSIONS IN [] ARE IN METRIC.
- PART INCLUDES:
 - 1- METAL MOUNTING PLATE
 - 1- SCREW
 - 1- LABEL/COVER
 - 1- CHS2** SLOPED 1/2 INSERT
 - 1- CBAG** ADAPTER



PART NUMBER		CFPAGS2**Y	
TITLE			
MINI-COM 2 POSITION SLOPED		GERMAN ADAPTER KIT	
CUSTOMER DRAWING			
ITEM REVISION NAME		M02479FQ/00	
DATASET FILE NAME		M02479FQ_DC149/00B	
UNLESS OTHERWISE SPECIFIED, DIMENSIONAL TOLERANCES ARE: IN [mm]		MATERIAL:	
.x ± .1 [2.54] .xxx ± .005 [.127]		ABS	
.xx ± .01 [.25] ANGLES ± 5 °		DRAWING NUMBER:	
		02479-149	
DRAWN BY	DATE	CHK	SCALE
JSP	10-2-06	MJD	NONE
SHT 1 OF 1			SIZE
			A

REV	DATE	BY	CHK	APR	DESCRIPTION	ECN
1	2-25-14	MDJR	REFR	MMR	A. UPDATED TITLE BLOCK.	02479-149
R	10-2-06	JSP	MJD	MJD	RELEASED TO PRODUCTION	02479-149

D10100DA/14

2

1

2

1