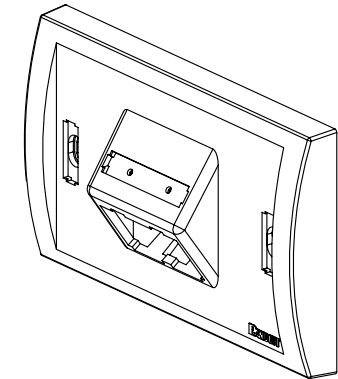
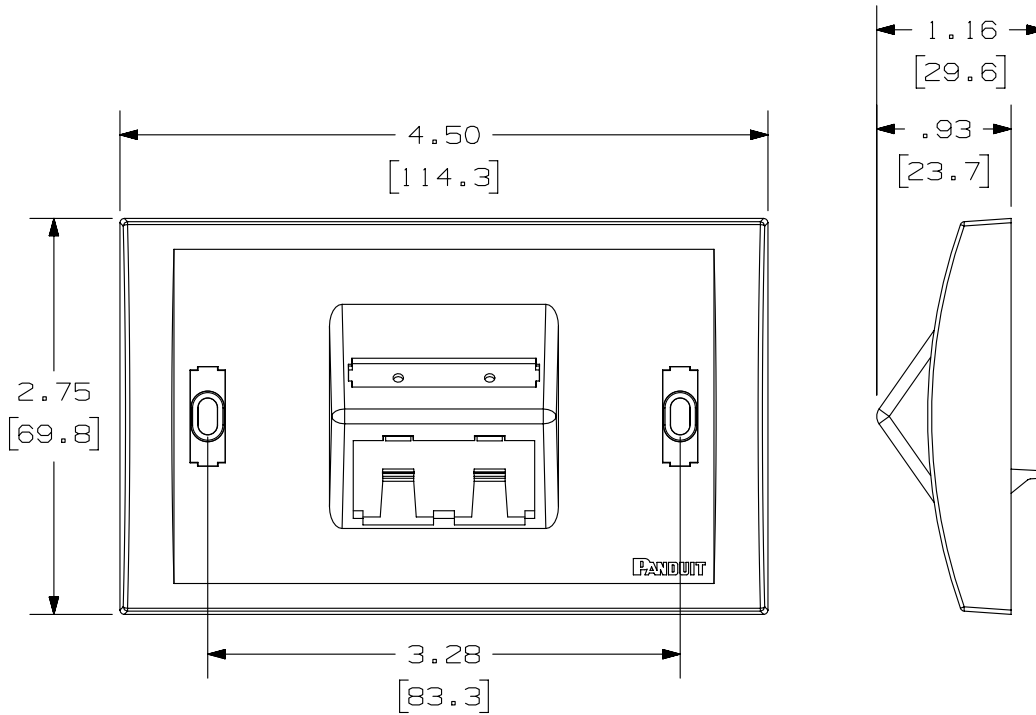


THIS COPY IS PROVIDED ON A RESTRICTED BASIS AND IS NOT TO BE USED IN ANY WAY DETRIMENTAL TO THE INTERESTS OF PANDUIT CORP.

PANDUIT P/N	WEIGHT
UICFPHSEA2**	.67 LB/10 PCS (306.0 g/10 PCS)

NOTES:

- SEE CURRENT CATALOG FOR ADDITIONAL PART NUMBER SUFFIXES TO INDICATE COLOR AND OR PACKAGE QUANTITY.
- SEE CATALOG FOR COMPLETE LIST OF PARTS APPLICABLE FOR USE WITH THIS PART.
- DIMENSIONS IN PARENTHESES ARE IN METRIC.
- PART INCLUDES:
 - 1- FACEPLATE
 - 1- CLEAR SCREW COVER
 - 2- COLOR COORDINATED SCREW COVER
 - 1- CLEAR LABEL COVER
 - 2- 1" MOUNTING SCREW
 - 2- 2" MOUNTING SCREW



PART NUMBER		UICFPHSEA2**	
TITLE			
MINI-COM ULTIMATE ID HORIZONTAL SLOPED EXECUTIVE SERIES FACEPLATE (AUSTRALIA VERSION) CUSTOMER DRAWING			
ITEM REVISION NAME		M01288EH/07	
DATASET FILE NAME		M01288EH_DC/07C	
UNLESS OTHERWISE SPECIFIED, DIMENSIONAL TOLERANCES ARE: IN [mm]		MATERIAL:	
.x ± .xx ± .03 [.8]		.xxx ± .010 [.3] ANGLES ±	
THIRD ANGLE PROJECTION		DRAWING NUMBER: 01288-12	
DRAWN BY	DATE	CHK	SCALE
JSP	11-4-04	MJD	NONE
REV	DATE	BY	CHK
2	5-14-14	BJN	JSP
APR	DESCRIPTION		ECN
	REVISED & REDRAWN PREVIOUS REVISIONS REMVD FOR CLARITY		01288-12
SHT 1 OF 1		SIZE A	

D10100DA/14