

THIS COPY IS PROVIDED ON A RESTRICTED BASIS AND IS NOT TO BE USED IN ANY WAY DETRIMENTAL TO THE INTERESTS OF PANDUIT CORP.

PANDUIT P/N	WEIGHT
H1M1B3J2M10AXA0	5.0 kg (11.12 lbs)

NOTES:

1. IDENTIFICATION: 1RU HORIZONTAL, (10) C13 METERED
230V / 32A / SINGLE-PHASE PDU

PART NO. H1M1B3J2M10AXA0 COLOR BLACK

2. ACCESSORY COMPONENTS:
(1) QUICK-START GUIDE
(4) M6X20mm SCREWS
(4) 12-24 X 1/2" SCREWS

3. PRIMARY DIMENSIONS ARE IN MILLIMETERS,
SECONDARY DIMENSIONS IN [INCHES].

4. POWER (e.g. AMPS, VOLTS, kWh, kVA, POWER FACTOR
FREQUENCY) MONITORING DATA CAN BE ACCESSED VIA ON-UNIT
DISPLAY

5. RoHS COMPLIANT

6. VISIT OUR ON-LINE CATALOG AT WWW.PANDUIT.COM FOR
A CURRENT LIST OF PRODUCTS APPLICABLE FOR USE
WITH THIS PART

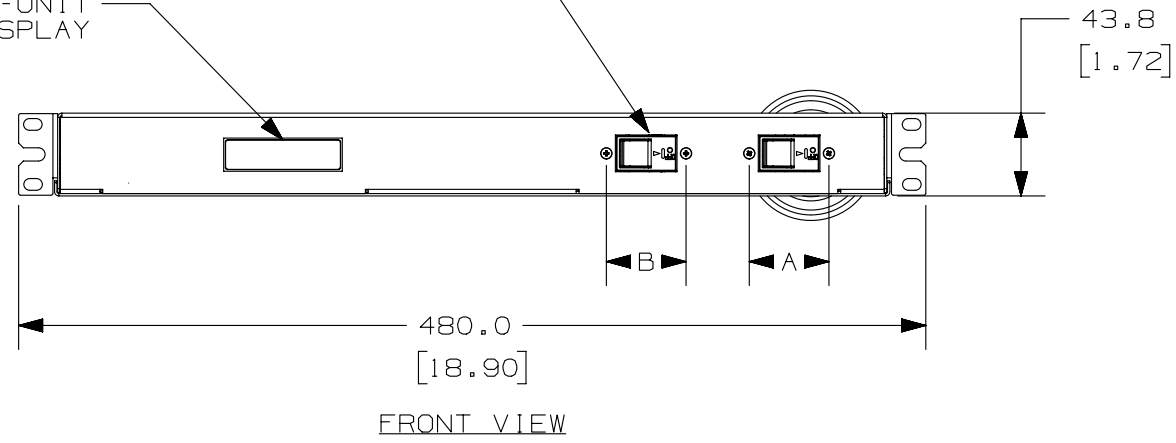
7. MAXIMUM AVAILABLE INPUT POWER = 7.4 kW

8. INSTALLATION SHALL COMPLY WITH ALL APPLICABLE
NATIONAL, STATE, AND LOCAL CODES.

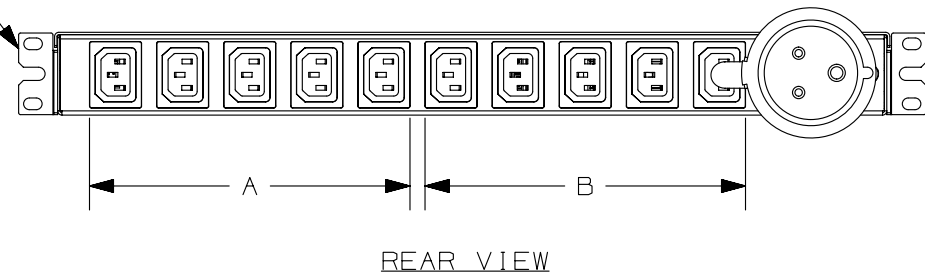
9. PRINTED WITH PHASE & CIRCUIT IDENTIFICATION

16 AMP, SINGLE-POLE ELECTRO
MECHANICAL SWITCH/BREAKER
2 PLACES

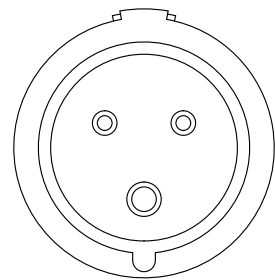
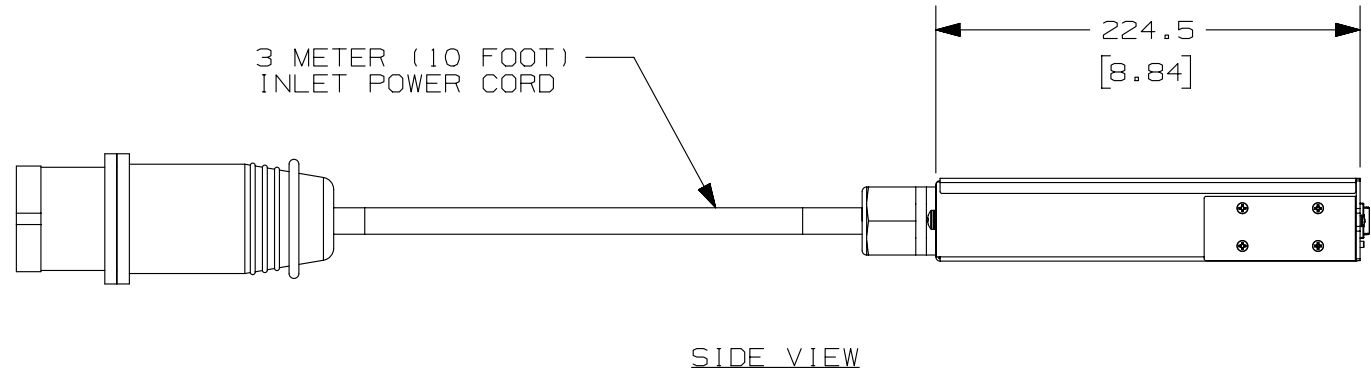
ON-UNIT
DISPLAY



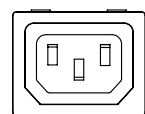
MOUNTING
BRACKET 2X



3 METER (10 FOOT)
INLET POWER CORD



PLUG
32 AMP, 250V
IEC 60309, SPLASHPROOF



TEN (10)
RECEPTACLES
10 AMP, 250V
STRAIGHT BLADE
IEC 60320/C13

REV	DATE	BY	CHK	APR	DESCRIPTION	ECN
01A	09/12/14	PJST			RELEASED TO PRODUCTION	12V092FK

WE ASK THAT YOU CHECK FULLY THE DIMENSIONS, NOTES, AND SIGN THE CLIENT SIGNATURE BOX.		SIGN
THE JOB WILL NOT PROGRESS WITHOUT SIGNED APPROVAL. PLEASE DO NOT DELAY IN RETURNING PROOF AS IT WILL AFFECT DELIVERY.		DATE
		PRINT
TITLE BASIC WITH LOCAL METER PDU (10) C13 CUSTOMER DRAWING		
ITEM REVISION NAME 12V092FK/01.PRT		PANDUIT
DATASET FILE NAME 12V092FK_DC/01A.PRT		
UNLESS OTHERWISE SPECIFIED, DIMENSIONAL TOLERANCES ARE:		MATERIAL/COLOR: N/A
INCHES X.X +/- 0.03 X.XX +/- 0.018 X.XXX +/- 0.007	METRIC - MILLIMETER X.X +/- 0.8 X.X +/- 0.46 X.XX +/- 0.18	ANGLE +/- 1°
DRAWN BY PJST		DRAWING NUMBER: 12V092FK-DI
DATE 09/12/14	CHK	SCALE NONE
THIRD ANGLE PROJECTION		SIZE SHT 1 OF 1 B