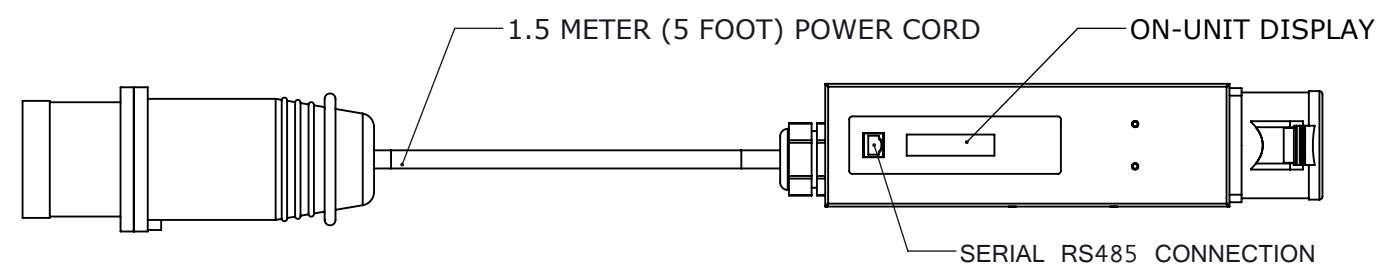
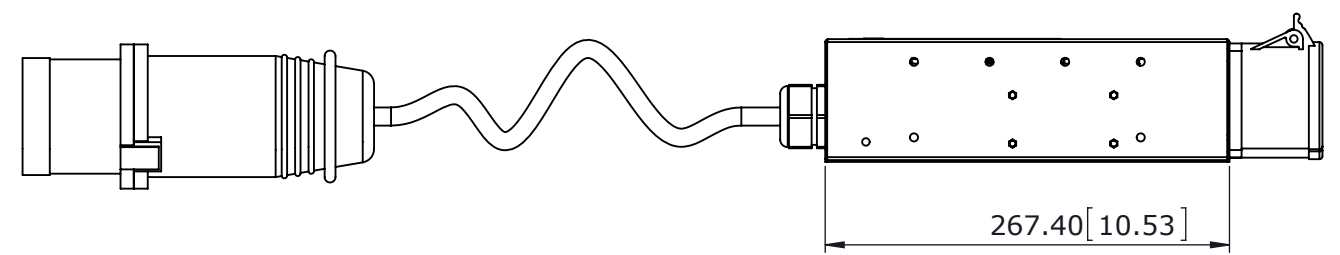


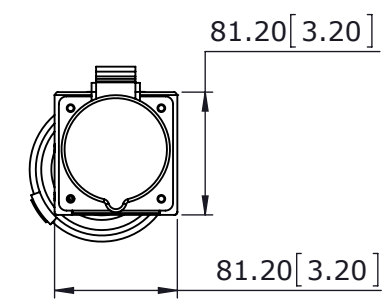
PANDUIT P/N	WEIGHT
GM-A0904BL	5 kg (11 lb)



TOP VIEW



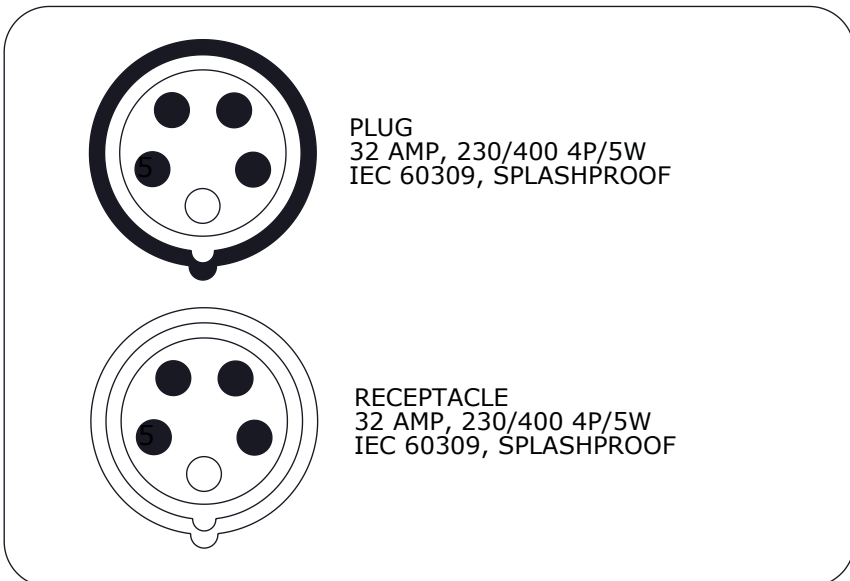
SIDE VIEW



FRONT VIEW

- NOTES:
- IDENTIFICATION: GATEWAY MONITORED ZERO-RU INLINE METER, 230/400V / 32A / THREE-PHASE WYE PDU
 - ACCESSORY COMPONENTS:
 - (4) M6 x 12mm PAN HEAD MACHINE SCREWS
 - (4) M6 x 12mm PAN HEAD SELF-TAPPING SCREWS
 - (4) M6 NUT (CAGED)
 - (1) M5 NUT (NYLON INSERT)
 - (1) M5 LOCK WASHER
 - PRIMARY DIMENSIONS ARE IN MILLIMETERS, SECONDARY DIMENSIONS IN [INCHES]
 - PHASE (L1, L2, L3) LEVEL POWER (AMPS, VOLTS, kWh, kVA, POWER FACTOR, FREQUENCY) MONITORING. WHEN CONNECTED VIA SERIAL CONNECTION TO GATEWAY, DATA CAN BE ACCESSED ON UNIT DISPLAY OR REMOTELY.
 - RoHS COMPLIANT.
 - VISIT OUR ON-LINE CATALOG AT WWW.PANDUIT.COM FOR A CURRENT LIST OF PRODUCTS APPLICABLE FOR USE WITH THIS PART.
 - MAXIMUM AVAILABLE INPUT POWER = 22.2 kW
 - INSTALLATION SHALL COMPLY WITH ALL APPLICABLE NATIONAL, STATE, AND LOCAL CODES.

PART NO.	COLOR
GM-A0904BL	BLACK RAL 9005



REV	DATE	BY	CHK	APR	DESCRIPTION	ECN
00A	10/09/14	DACU	JPHI		RELEASED TO PRODUCTION	AA0904CP

WE ASK THAT YOU CHECK FULLY THE DIMENSIONS, NOTES, AND SIGNATURE BOX. THE JOB WILL NOT PROGRESS WITHOUT SIGNED APPROVAL. PLEASE DO NOT DELAY IN RETURNING PROOF AS IT WILL AFFECT DELIVERY.

SIGN	
DATE	
PRINT	

TITLE
SmartZone Gateway-Enabled Zero-RU Inline Meter
PN: GM-A0904BL
CUSTOMER DRAWING

ITEM REVISION NAME
AA0904CP/00.PRT

DATASET FILE NAME
AA0904CP_DS/00A.PRT

UNLESS OTHERWISE SPECIFIED, DIMENSIONAL TOLERANCES ARE:

INCHES	METRIC - MILLIMETER	ANGLE
X.X +/- 0.03	X.X +/- 0.8	+/- 1°
X.XX +/- 0.018	X.XX +/- 0.46	
X.XXX +/- 0.007	X.XXX +/- 0.18	

MATERIAL/COLOR:
BLACK RAL 9005
TEXTURE FINISH

DRAWING NUMBER:
AA0904CP

DRAWN BY	DATE	CHK	SCALE	SHEET	SIZE
DACU	09/10/14	JPHI	SCALE:1:5	SHEET 1 OF 1	B