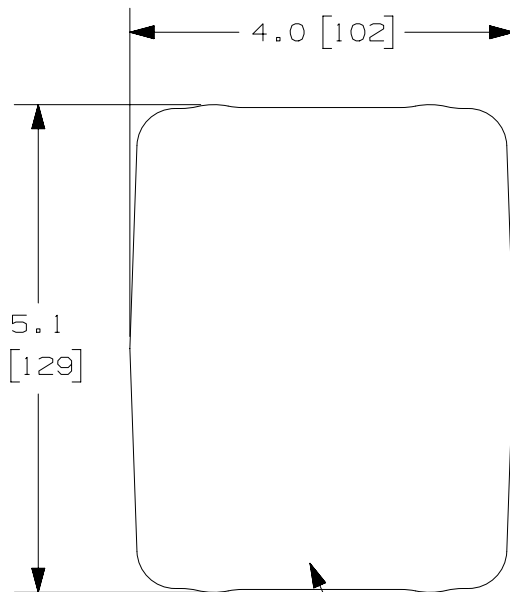


THIS COPY IS PROVIDED ON A RESTRICTED BASIS AND IS NOT TO BE USED IN ANY WAY DETRIMENTAL TO THE INTERESTS OF PANDUIT CORP.

PANDUIT P/N	WEIGHT
NM4B	.2 LBS/EACH 5.7 g/EACH

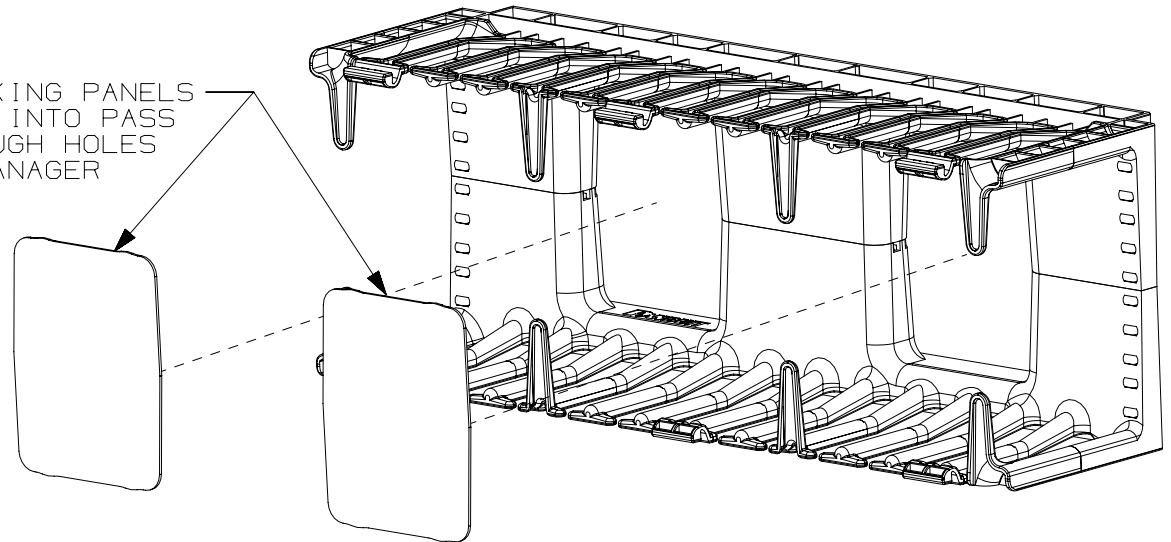
NOTES:

- VISIT OUR ON-LINE CATALOG AT [WWW.PANDUIT.COM](http://WWW.PANDUIT.COM) FOR A CURRENT LIST OF PRODUCTS APPLICABLE FOR USE WITH THIS PART.
- COMPONENTS:  
2-NM4/NMF4 BLANKING PANELS
- DIMENSIONS IN PARENTHESIS ARE METRIC.



BLANKING PANELS  
PACKAGED TWO  
PER BAG

BLANKING PANELS  
SNAP INTO PASS  
THROUGH HOLES  
OF MANAGER



REV	DATE	BY	CHK	APR	DESCRIPTION	ECN
02B	6-23-15	TWV	MACA	KRKE	ADDED INSTALLATION VIEW	V10404BV-DC
02A	11-11-10	BAME			DRAWING RELEASED	V10404BV-DC

TITLE <b>BLANKING PANELS FOR NM4 AND NMF4 HORIZONTAL MANAGER (NM4B)</b> CUSTOMER DRAWING	
ITEM REVISION NAME V10404BV/01	<b>PANDUIT</b>
DATASET FILE NAME V10404BV_DC/01B	
UNLESS OTHERWISE SPECIFIED, DIMENSIONAL TOLERANCES ARE:	
INCHES X.X +/- 0.03 X.XX +/- 0.018 X.XXX +/- 0.007	METRIC - MILLIMETER X +/- 0.8 X.X +/- 0.46 X.XX +/- 0.18
ANGLE +/- 1°	MATERIAL: <b>PLASTIC</b>
DRAWING NUMBER: V10404BV-DC	
THIRD ANGLE PROJECTION	DRAWING NUMBER: SHT 1 OF 1
DRAWN BY BAME	DATE 11-11-10
CHK	SCALE NONE
SIZE A	