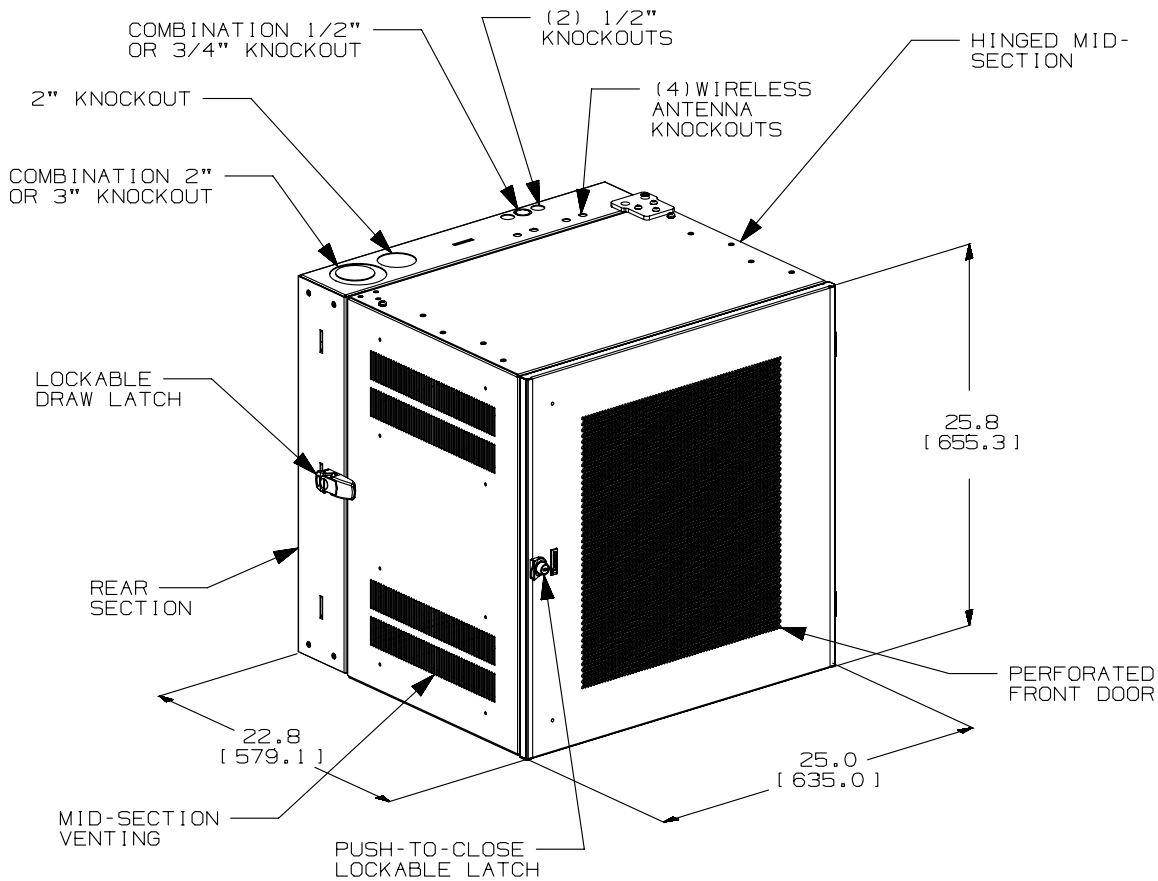


THIS COPY IS PROVIDED ON A RESTRICTED BASIS AND IS NOT TO BE USED IN ANY WAY DETRIMENTAL TO THE INTERESTS OF PANDUIT CORP.



PANDUIT PART NO.	WEIGHT
PZC12P	90 LBS/EACH 40.8 kg/EACH

NOTES:

- VISIT OUR ON-LINE CATALOG AT WWW.PANDUIT.COM FOR A LIST OF CURRENT PARTS APPLICABLE FOR USE WITH THIS PRODUCT.
- DIMENSIONS IN PARENTHESES ARE METRIC (mm).
- CAN BE USED WITH ANY 19" EIA STANDARD COMPONENT UP TO 17.5" DEEP IN ADDITION TO ALL PANDUIT HORIZONTAL CABLE MANGEMENT AND PATCH PANEL PRODUCTS.
- 12 AVAILBLE RACK SPACES PLUS 2 BONUS RACK SPACES (TOP & BOTTOME) FOR SHALLOW EQUIPMENT SUCH AS POWER STRIPS, MODEMS, ETC.
- VERTICAL EQUIPMENT MOUNTING ANGLES ARE ADJUSTABLE FRONT TO REAR OF CABINET ON 1" INCREMENTS.
- LOAD CAPACITY, 250-LBS.
- INSTALLS IN EITHER A HINGED RIGHT OR HINGED LEFT APPLICATION.
- FRONT ACCESS THROUGH DOOR; REAR ACCESS THROUGH HINGED MID-SECTION.
- MATERIAL: STEEL- POWDER COATED BLACK

REV	DATE	BY	CHK	APR	DESCRIPTION	ECN
014A	12-4-13	LDR	BAME	CMK	REVISED REV SCHEME	10290-59
00A	10-16-04	MAV			RELEASED TO PRODUCTION	10290-59

TITLE		PANZONE 12RU HINGED WALL MOUNT CABINET (PZC12P) PERFORATED DOOR		
CUSTOMER DRAWING				
ITEM REVISION NAME		V10290AA/14.PRT		
DATASET FILE NAME		V10290AA_DC/14A.PRT		
UNLESS OTHERWISE SPECIFIED, DIMENSIONAL TOLERANCES ARE: IN [mm]		MATERIAL:		
.x ± .03 [0.8] .xxx ± .007 [.18]		SEE NOTES		
.xx ± .018 [.46] ANGLES ± 1 °		DRAWING NUMBER:		
THIRD ANGLE PROJECTION		10290-59		
DRAWN BY	DATE	CHK	SCALE	SIZE
LDR	12-4-13		NONE	A
SHT 1 OF 1				