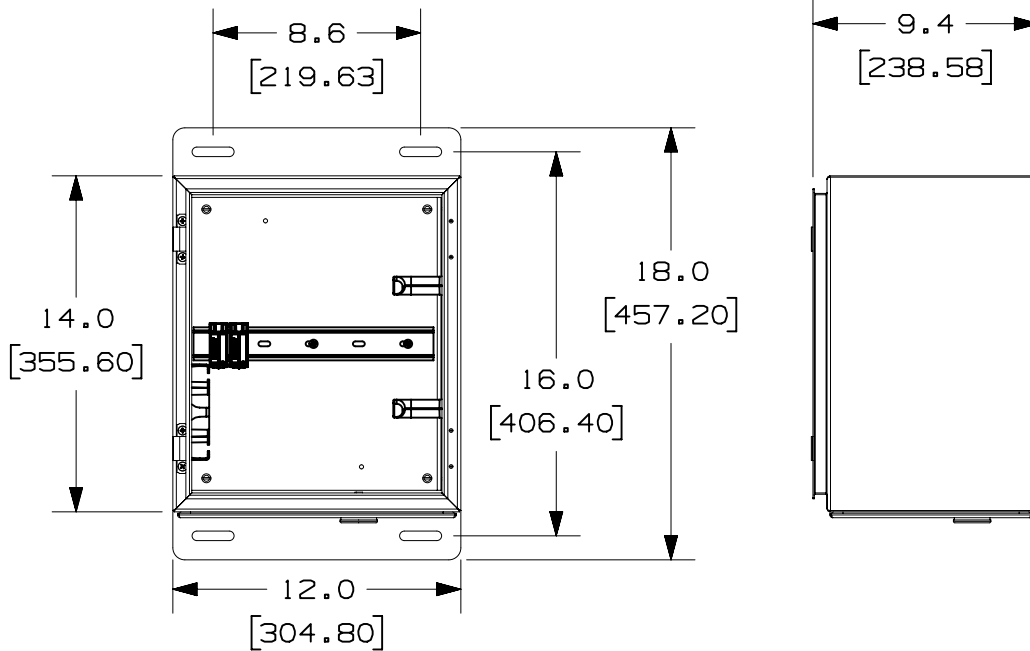
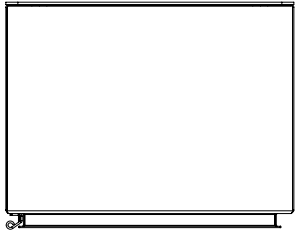


THIS COPY IS PROVIDED ON A RESTRICTED BASIS AND IS NOT TO BE USED IN ANY WAY DETRIMENTAL TO THE INTERESTS OF PANDUIT CORP.



WIDTH	HEIGHT	DEPTH	WEIGHT
12.0"	14.0"	12.0"	35 LBS 16 KG

PANDUIT P/N	ENCLOSURE TYPE
Z11C-6	316 STAINLESS
Z11C-S	4/12 STEEL

NOTES:

- DIMENSIONS IN PARENTHESES ARE IN METRIC.
- ENCLOSURE INCLUDES:
 - 2- CABLE MANAGEMENT SIDE PANELS
 - 1- BLANK GLAND PLATE
 - 1- 1/2" CONDUIT PLUG FOR POWER ENTRY
 - 2- EXTERNAL MOUNT ANGLES
 - 1- DIN RAIL FOR AC WIRING (9.5")
 - 1- FIBER SLACK SPOOL
 - 4- CABLE MANAGEMENT L RINGS
 - 2-MINI-COM DIN RAIL MOUNT ADAPTERS
- 316 STAINLESS STEEL ENCLOSURES ARE RATED NEMA 4X.
- ALL ENCLOSURES ARE UL TYPE 4/12 AND IP66 RATED.
- STEEL AND STAINLESS STEEL ENCLOSURES ARE MADE FROM 16 GAUGE STEEL.

REV	DATE	BY	CHK	APR	DESCRIPTION	ECN
00B	2/16/15	RHG	NWW	TIMH	A. ADJUSTED PANDUIT P/N ON CHART, Z23 CHANGED TO Z11	13V366AJ
00A	12/16/14	RHG	NWW	TIMH	RELEASED TO CUSTOMER	13V366AJ

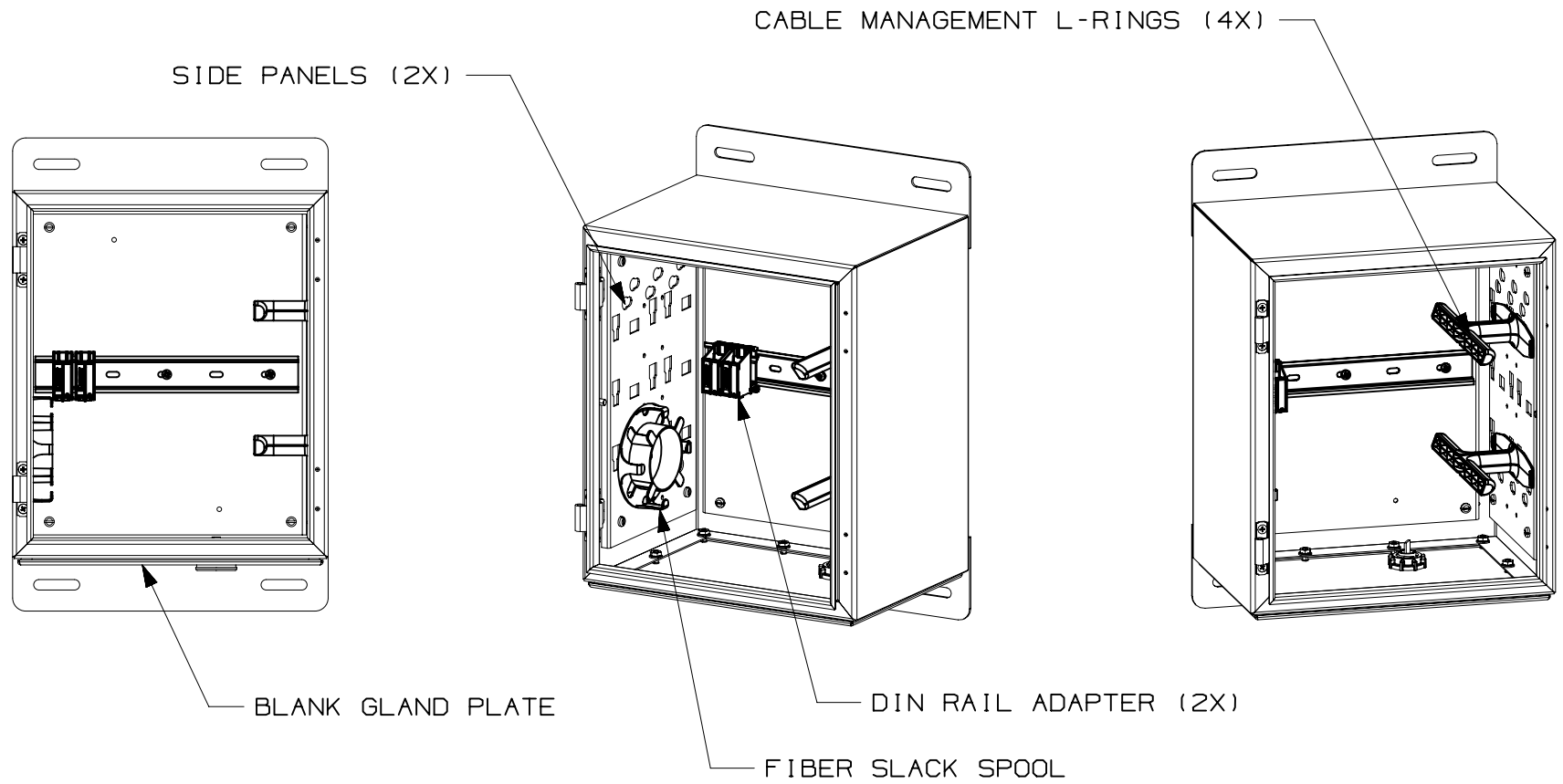
TITLE Z11-* PRE CONFIGURED ZONE ENCLOSURE CUSTOMER DRAWING			
ITEM REVISION NAME 13V366AJ/00		PANDUIT	
DATASET FILE NAME 13V366AJ-00B-dwg1			
UNLESS OTHERWISE SPECIFIED, DIMENSIONAL TOLERANCES ARE: IN [mm]		MATERIAL: SEE TABLE	
.x ± .1 [2.54] .xxx ± .005 [.127] .xx ± .01 [.25] ANGLES ± 5 °		DRAWING NUMBER: 13V366AJ	
DRAWN BY RHG		DATE 12/16/14	CHK NWW
SCALE 1:4		SHT 1 OF 2	
THIRD ANGLE PROJECTION		SIZE A	

D10100DA/16

2

1

THIS COPY IS PROVIDED ON A RESTRICTED BASIS AND IS NOT TO BE USED IN ANY WAY DETRIMENTAL TO THE INTERESTS OF PANDUIT CORP.



B

B

A

A

TITLE		Z11-* PRE CONFIGURED ZONE ENCLOSURE CUSTOMER DRAWING	
ITEM REVISION NAME		13V366AJ/00	
DATASET FILE NAME		13V366AJ-00B-dwg1	
UNLESS OTHERWISE SPECIFIED, DIMENSIONAL TOLERANCES ARE: IN [mm]		MATERIAL:	
.x ± .1 [2.54] .xxx ± .005 [.127]		SEE NOTES	
.xx ± .01 [.25] ANGLES ± 5 °		DRAWING NUMBER:	
		13V366AJ	
DRAWN BY	DATE	CHK	SCALE
RHG	12/16/14	NWW	1:4
SHT 2 OF 2		SIZE	
		A	

REV	DATE	BY	CHK	APR	DESCRIPTION	ECN
00B	2/16/15	RHG	NWW	TIMH	REFER TO SHEET 1	13V366AJ
00A	12/16/14	RHG	NWW	TIMH	REFER TO SHEET 1	13V366AJ

2

1

DI10100DA/16