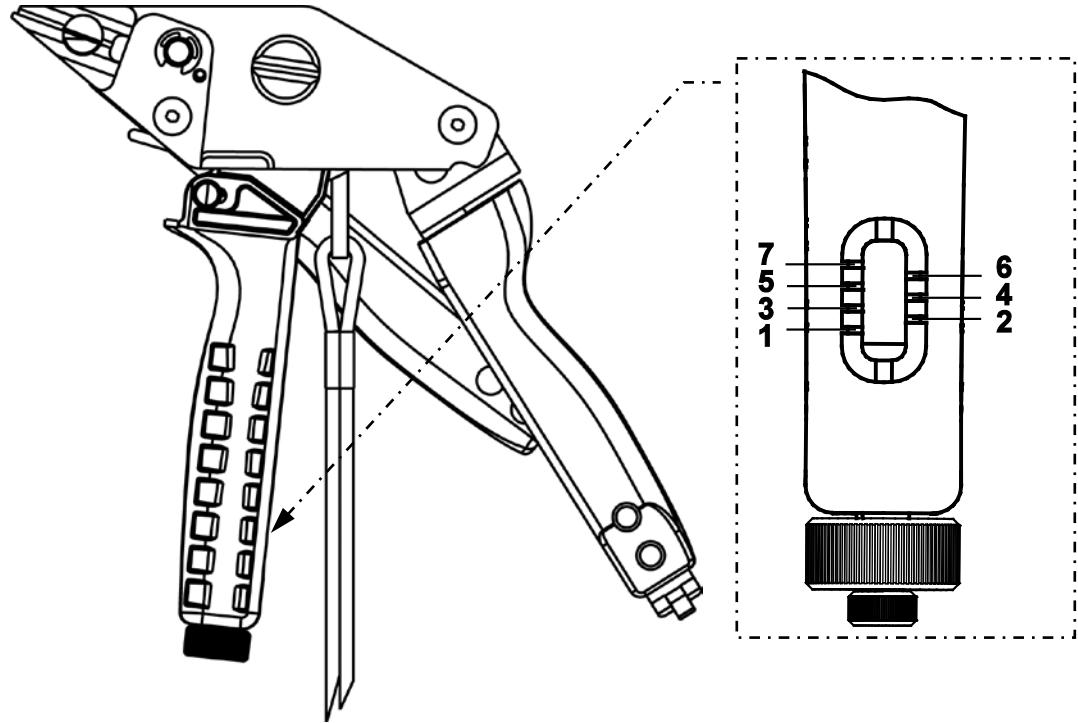


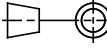
THIS COPY IS PROVIDED ON A RESTRICTED BASIS AND IS NOT TO BE USED IN ANY WAY DETRIMENTAL TO THE INTERESTS OF PANDUIT CORP.

POSITION	LOAD @ "DETENT"		TOLERANCE	
	LBS.	NEWTONS	LBS.	NEWTONS
1	69	307	+/- 50 LBS	222
2	130	578	+/- 100 LBS	445
3	206	921	+/- 100 LBS	445
4	271	1205	+/- 100 LBS	445
5	311	1383	+/- 100 LBS	445
6	379	1686	+/- 100 LBS	445
7	450	2002	+/- 100 LBS	445

ACCURACY OF LOAD @ DETENT DEPENDS UPON MATCHING THE INDICATOR LINE EXACTLY WITH THE DESIRED SETTING



REV	DATE	BY	CHK	APR	DESCRIPTION	ECN
02	9-07-17	BLR	ABJ	JADE	ADDED NEWTON DATA	13959
01	3-12-13	BLR	BJPU	ABJ	UPD TEMPLATE & BRANDING	NONE

BT2HT			
TENSION ROD FORCE @ DETENT			
CONTROL DRAWING			
ITEM REVISION NAME:		PANDUIT	
TM25767A01_02			
UNLESS OTHERWISE SPECIFIED, DIMENSIONAL TOLERANCES ARE:		MATERIAL:	
(.x) ±	---	(.xxx) ±	---
(.xx) ±	---	ANGLES ±	---
		THIRD ANGLE PROJECTION	
DRAWN BY:	DATE:	CHK	SCALE
BLR	4-29-08	BJPU	NONE
DRAWING NUMBER:			SIZE
TM25767A01			A
SHT 1 OF 1			