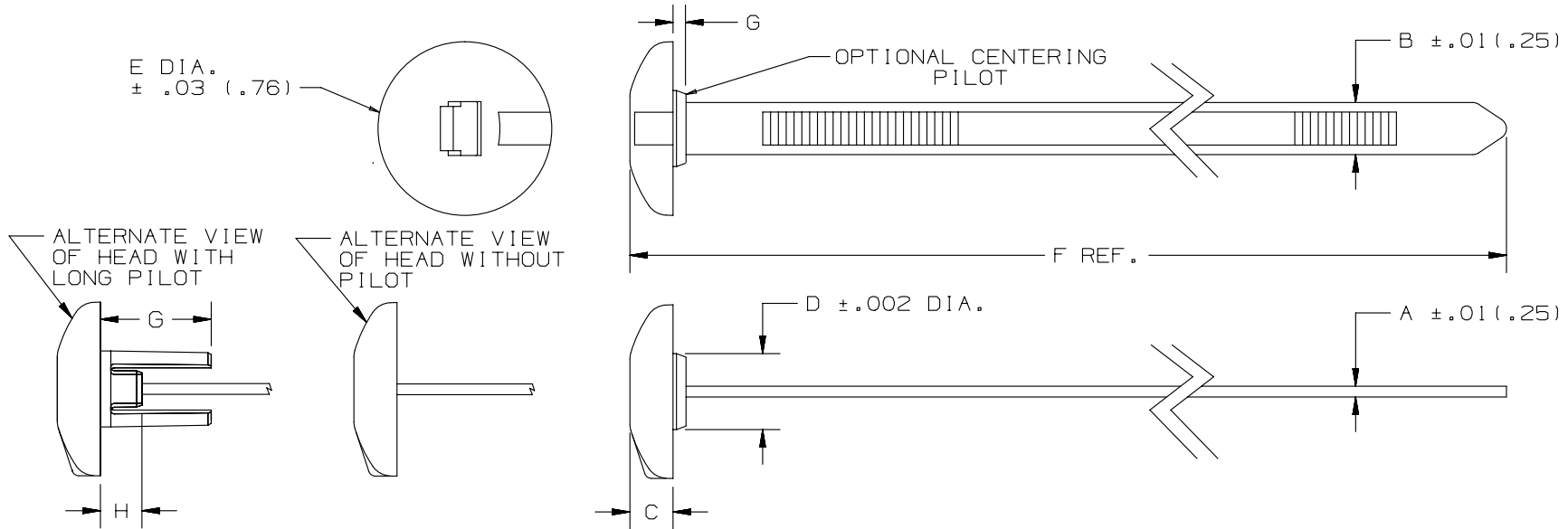


THIS COPY IS PROVIDED ON A RESTRICTED BASIS AND IS NOT TO BE USED IN ANY WAY DETRIMENTAL TO THE INTERESTS OF PANDUIT CORP.



PANDUIT * PART NO.	BUNDLE DIA.		A in (mm)	B in (mm)	C in (mm)	D in (mm)	E in (mm)	F in (mm)	G in (mm)	H in (mm)	RECOMMENDED HOLE SIZE RANGE	MIN. LOOP TENSILE lbs (N)	CROSS SECTION	WEIGHT 50 pcs lbs (g)
	MIN. in (mm)	MAX. in (mm)												
SSPM2.5H	.06 (1.5)	2.76 (70)	.062 (1.6)	.300 (7.6)	.248 (6.3)	—	1.0 (25.4)	10.1 (257)	—	—	.316 to .820 (8.0 to 21)	120 (534)	HEAVY	.519 (235)
SSPM2.5HP	.06 (1.5)	2.76 (70)	.062 (1.6)	.300 (7.6)	.248 (6.3)	.437 (11.1)	1.0 (25.4)	10.1 (257)	.075 (1.9)	—	.440 to .820 (11.2 to 21)	120 (534)	HEAVY	.526 (239)
SSPM4H	.06 (1.5)	4.0 (102)	.062 (1.6)	.300 (7.6)	.248 (6.3)	—	1.0 (25.4)	14.8 (376)	—	—	.316 to .820 (8.0 to 21)	120 (534)	HEAVY	.685 (311)
SSPM4HP	.06 (1.5)	4.0 (102)	.062 (1.6)	.300 (7.6)	.248 (6.3)	.437 (11.1)	1.0 (25.4)	14.8 (376)	.075 (1.9)	—	.440 to .820 (11.2 to 21)	120 (534)	HEAVY	.691 (313)
SSPM4HLP	.06 (1.5)	4.0 (102)	.062 (1.6)	.300 (7.6)	.248 (6.3)	.437 (11.1)	1.0 (25.4)	14.8 (376)	.630 (16)	.236 (6.0)	.440 to .820 (11.2 to 21)	120 (534)	HEAVY	.722 (327)

NOTE: *1) *SEE www.panduit.com FOR PART NUMBER SUFFIX DESIGNATION FOR PACKAGE SIZE, PART MATERIAL, PART COLOR AND ANY THIRD PARTY RECOGNITION OR COMPLIANCE.

DIMENSIONS IN PARENTHESES ARE IN METRIC UNITS

TITLE SSPM STA-STRAP - PANEL MOUNT CABLE TIE		CUSTOMER DRAWING	
ITEM REVISION NAME SS_26346_00/AB		PANDUIT	
DATASET FILE NAME SS_26346_08			
UNLESS OTHERWISE SPECIFIED, DIMENSIONAL TOLERANCES ARE: IN (mm)		MATERIAL: NYLON 6.6	
.x ± .1 (2.5) .xxx ± .020 (.51) .xx ± .02 (.5) ANGLES ± - - -		DRAWING NUMBER: SS-26346	
THIRD ANGLE PROJECTION		DRAWN BY: FKS DATE: 3-27-91 CHK: HVP SCALE: NONE	
REV		SHT 1 OF 1	
DATE		SIZE A	
BY			
CHK			
APR			

REV	DATE	BY	CHK	APR	DESCRIPTION	ECN
08	7/24/14	BWG	MPH	JADE	REVISED TITLE BORDER, MATERIAL NOTE AND NOTE 1. SEE ECN FOR DETAILS.	SS-26346/08