

THIS COPY IS PROVIDED ON A RESTRICTED BASIS AND IS NOT TO BE USED IN ANY WAY DETRIMENTAL TO THE INTERESTS OF PANDUIT CORP.

NOTES, UNLESS OTHERWISE SPECIFIED:

PANDUIT CT-600-A – PNEUMATIC TERMINATION TOOL FOR INSULATED AND NON-INSULATED TERMINALS.

- USE WITH CRIMPING HEADS:
CT-500CH, CT-520CH, CT-550CH and CT-570CH
(Sold Separately)

WEIGHT (TOOL ONLY): 3.3 lb. (1.5 kg)

LENGTH: 11 in. [280]

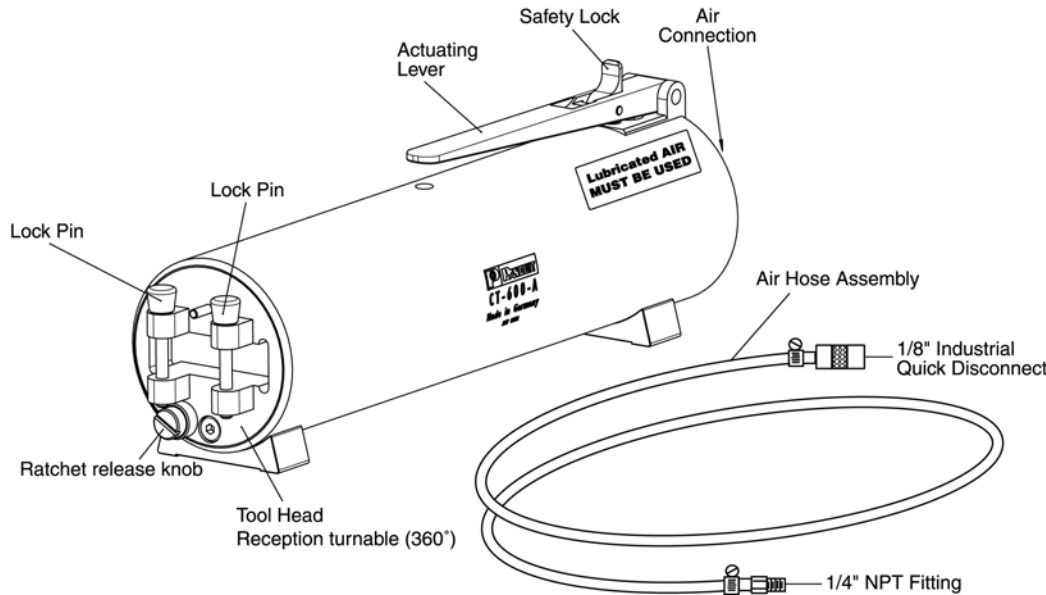
- DIAMETER: 2.56 in. [65]
- OPERATING PRESSURE: 87-116 psi (6,0-8,0 bar)
- **USE WITH LUBRICATED AIR**
- 1/8" INDUSTRIAL QUICK DISCONNECT COUPLING PLUG
- 6 ft., 1/4" ID AIR LINE WITH 1/8" INDUSTRIAL QUICK DISCONNECT COUPLING SOCKET AND 1/4" NPT THREADED FITTING

THE OPERATION MANUAL CAN BE FOUND AT WWW.PANDUIT.COM – SEARCH FOR CT-600-A.

DIMENSIONS IN BRACKETS ARE IN MILLIMETERS, AND ARE FOR REFERENCE ONLY

REPLACEMENT PARTS:

ASSEMBLY, HOSE – TP17785A01



F:\wrkgrp\rvusers\ENGR DOCS-NEW\CUSTOMER DRAWINGS\TP25370A01_00 CT-600-A.doc

									PANDUIT CORP. TINLEY PARK, ILLINOIS			
									CD * CT-600-A			
									UNLESS OTHERWISE SPECIFIED, DIMENSIONAL TOLERANCES ARE: (.x) ± --- (.xxx) ± --- (.xx) ± --- ANGLES ± ---		UNLESS OTHERWISE SPECIFIED, ALL DIMENSIONS ARE GIVEN IN INCHES, THIRD ANGLE PROJECTION.	
									DRAWN BY: BLR	MATL: -----		SCALE NONE
00	2-23-07	BLR	MBR	RELEASED	4237	--	LAH		DATE: 2-23-07	DRAWING NO. TP25370A01		DWG A SIZE
REV	DATE	BY	CHK'D	DESCRIPTION	ECN	-R	CUST	SUP	CHK'D: MBR			