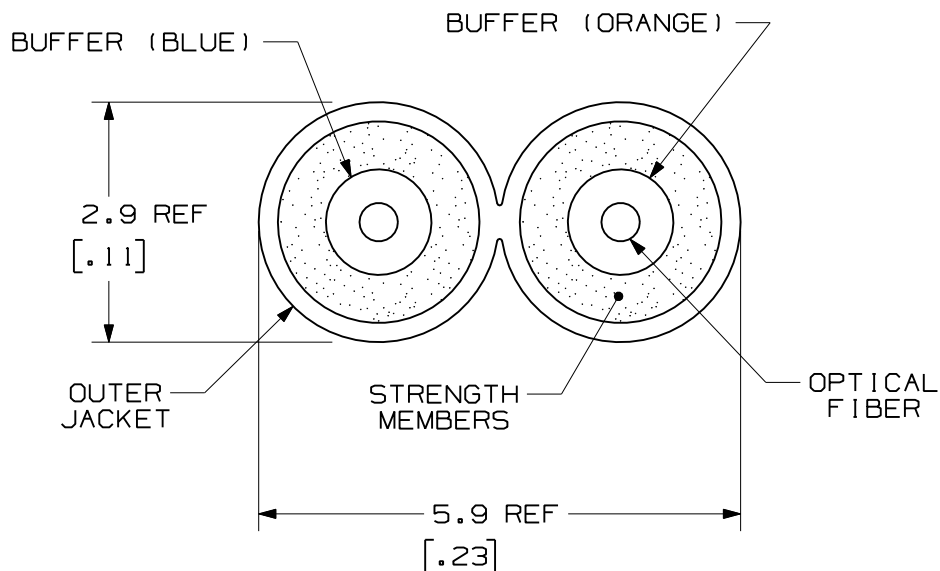


THIS COPY IS PROVIDED ON A RESTRICTED BASIS AND IS NOT TO BE USED IN ANY WAY DETRIMENTAL TO THE INTERESTS OF PANDUIT CORP.

NOTES:

1. DIMENSIONS SHOWN FOR REFERENCE ONLY.
2. DIMENSIONS IN BRACKETS [] ARE ENGLISH.




PART NUMBERS AVAILABLE	FIBER TYPE	JACKET RATING	COLOR
FL1R902Y	SINGLEMODE 9/125um	RISER	YELLOW
FL1L902Y		OFNR-LS	
FL1R602Y	MULTIMODE 62.5/125um	RISER	ORANGE
FL1L602Y		OFNR-LS	
FL1R502Y	MULTIMODE 5/125um	RISER	ORANGE
FL1L502Y		OFNR-LS	
FL1RX02Y	MULTIMODE 50/125um OM3	RISER	AQUA
FL1LX02Y		OFNR-LS	
FL1RV02Y	MULTIMODE 50/125um OM3 150 METER LONG REACH	RISER	AQUA
FL1LV02Y		OFNR-LS	

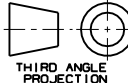
TECHNICAL SPECIFICATIONS		
MAXIMUM LOSS - MULTIMODE 3.5 dB/KM @ 850nm 1.5 dB/KM @ 1300nm	BEND RADIUS	
	INSTALLATION 118 mm (4.6 in)	LONG TERM 59 mm (2.3 in)
MAXIMUM LOSS - SINGLEMODE .75 dB/KM @ 1310nm .75 dB/KM @ 1550nm	TENSILE LOAD	
	INSTALLATION 220 N (55 lbf)	LONG TERM 55 N (12 lbf)
TEMPERATURE		
INSTALLATION/OPERATION		STORAGE
0° C TO 50° C 32° F TO 158° F		-40° C TO +65° C -40° F TO +149° F

REV	DATE	BY	CHK	DESCRIPTION	ECN	R	CUST	SUP	OTH
01	03-13-07	EFK		RELEASED TO PRODUCTION	02055-70				

OPTI-CORE FIBER OPTIC DUPLEX ZIPCORD
INTERCONNECT CABLE
CUSTOMER DRAWING



PANDUIT™
CORP.
TINLEY PARK, ILL 60477

 THIRD ANGLE PROJECTION	ALL DIMENSIONS ARE GIVEN IN INCHES, UNLESS OTHERWISE SPECIFIED. DIMENSIONAL TOLERANCES ARE: (.X) (.XXX) ± 0.3 (.010) (.XX) ± 0.8 (.03) ANGLES	DRAWING FILENAME MO2055CD_DC_00B.prt SCALE NONE
DRAWN BY MC	REVIEW DRAWING NUMBERS	PART NO. FL1R*02Y/FL1L*02Y
DATE 08-25-05	CHK'D WMA	DRAWING NO. 02055-70 SIZE A