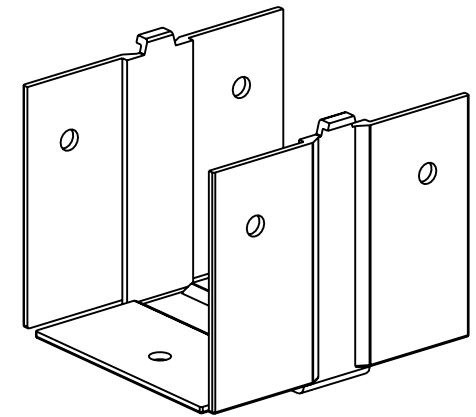


PANDUIT PART NUMBER	WEIGHT
FTDNS4X4	0.22 LB/EACH (102g/EACH)



NOTES:

- SEE CURRENT CATALOG FOR ADDITIONAL PART SUFFIXES TO INDICATE COLOR AND/OR PACKAGE QUANTITY.
- THE FIBER-DUCT 4x4 ADAPTER TO VARIOUS 4x4 ROUTING SYSTEMS ALLOWS FOR THE FIBER-DUCT 4x4 SOLID OR SLOTTED WALL CHANNEL TO BE ATTACHED TO TYTON, NEWTON, DITEL OR SIEMONS 4x4 CHANNEL.
- THE FIBER-DUCT 4x4 ADAPTER TO VARIOUS 4x4 ROUTING SYSTEMS INCLUDES:
ONE (1) ADAPTER,
SIX (6) 1/4-20x5/8 NYLON COMBINATION BINDING HEAD MACHINE SCREWS,
SIX (6) 1/4-20 NYLON HEX MACHINE SCREW NUTS,
SIX (6) .257x.50x.062 NYLON FLAT WASHERS
- DIMENSIONS IN PARENTHESES ARE IN METRIC.



ENG. REF.: D37291BV_DC_FTDNS4X4_01.prt

CAD FILENAME/LAYERS **FTDNS4X4.pdf**

REV	DATE	BY	CHK	DESCRIPTION	ECN	R	CUST	SUP	GMBH
-	-----	---	--	E. REVISED PART WEIGHT	-----	--	--		
-	-----	---	--	D. REVISED GENERAL NOTES C. REVISED CAD FILENAME	-----	--	--		
1	7-25-06	DTP	RN	B. REVISED DRAWING TITLE A. REVISED AND REDRAWN	37291-19	RN	RN		

PANDUIT CORP TINLEY PARK, ILLINOIS
FIBER-DUCT 4x4 ADAPTER TO VARIOUS 4x4 ROUTING SYSTEMS (FTDNS4X4)
 CUSTOMER DRAWING

UNLESS OTHERWISE SPECIFIED, DIMENSIONAL TOLERANCES ARE: (.X) ± (.XXX) ± (.XX) ± .03 (.8) ANGLES ±		UNLESS OTHERWISE SPECIFIED, ALL DIMENSIONS ARE GIVEN IN INCHES, THIRD ANGLE PROJECTION.	
DRAWN BY JHNU	MAT'L: ABS	SCALE NONE	
DATE 1-23-01		DRAWING NO. 37291-19	DWG A SIZE
CHK'D LD			