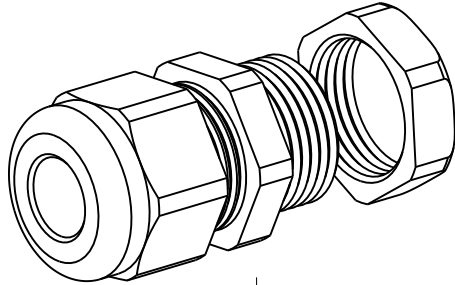


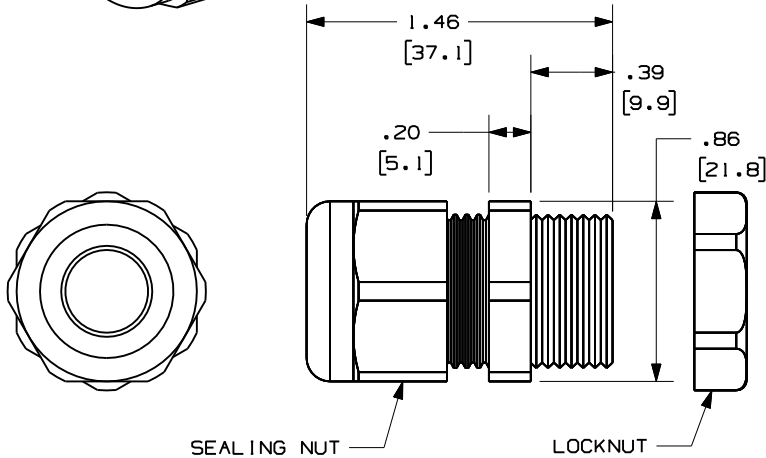
THIS COPY IS PROVIDED ON A RESTRICTED BASIS AND IS NOT TO BE USED IN ANY WAY DETRIMENTAL TO THE INTERESTS OF PANDUIT CORP.



PANDUIT P/N	WEIGHT
PZNF2	.06 LBS EACH (27.2g EACH)

NOTES:

- SEE CURRENT CATALOG FOR COMPLETE LIST OF PARTS APPLICABLE FOR USE WITH THIS PRODUCT.
- DIMENSIONS IN PARENTHESES ARE IN METRIC.
- KIT INCLUDES:
 - 1 - LIQUID TIGHT NEMA 4X FITTING
 - 1 - SILICONE SEALANT PACK
 - 1 - APPLICATION STICK



MODEL FILENAME V10396BD_HEYCO-3214_00.prt

CAD FILENAME/LAYERS V10396BD_DC_00A.prt (1)

PANDUIT CORP. TINLEY PARK, ILLINOIS

PANZONE™ NEMA 4X FITTING KIT (PZNF2)
(.230" - .395") DIA CABLE RANGE
CUSTOMER DRAWING

UNLESS OTHERWISE SPECIFIED,
DIMENSIONAL TOLERANCES ARE:
(.X) ± .03 (XXX) ± .005
(.XX) ± .01 ANGLES ± 1°

UNLESS OTHERWISE SPECIFIED,
ALL DIMENSIONS ARE GIVEN
IN INCHES, THIRD ANGLE PROJECTION.

DRAWN BY RYB

MAT'L:

SCALE 1.5X

DATE 2/20/07

SEE NOTES

DRAWING NO.

10396-13

DWG
A
SIZE

CHK'D

REV	DATE	BY	CHK	DESCRIPTION	ECN	R	CUST	SUP	OTH
00	2/20/07	RYB		RELEASED TO PRODUCTION	10396-13				