

PanPlug™ 28 AWG UTP Modular Plug

PANDUIT®

SPECIFICATION SHEET

specifications

Category 5e/Class D, 8-position, 8-wire, UTP modular plug shall terminate most 4-pair, 28 AWG, 100 ohm, solid or stranded, unshielded twisted pair cable with maximum conductor insulation diameter of 0.027 in. (0.69mm). Pair manager shall simplify termination and shall provide strain relief for small diameter, 28 AWG cable. Modular plug shall terminate to T568A and T568B wiring schemes.



technical information

IEC compliance:	IEC 60603-7
RoHS compliance:	Compliant
Conductor termination:	Compatible with most 28 AWG solid or stranded cable cables with 0.138 in. to 0.162 in. (3.51mm to 4.11mm) outer jacket diameter and 0.027 in. (0.69mm) maximum conductor insulation diameter
Operating temperature:	-14°F to 140°F (-10°C to 60°C)
Storage temperature:	-40°F to 158°F (-40°C to 70°C)
Plug Housing:	UL94V-0 rated clear Polycarbonate
Contacts:	Gold plated phosphor bronze

key features and benefits

Patented tangle-free latch	Prevents snags and provides easy release, saving time and providing reliability on frequent moves, adds, and changes
Robust construction	Rated to 2500 mating cycles

PanPlug™ UTP Modular Plug

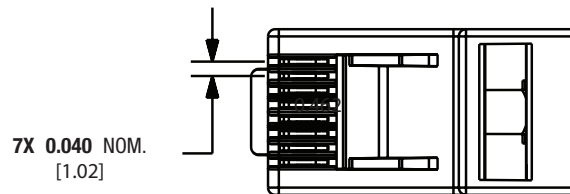
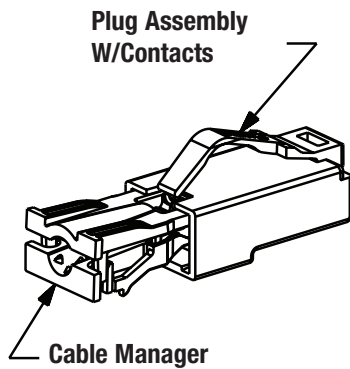
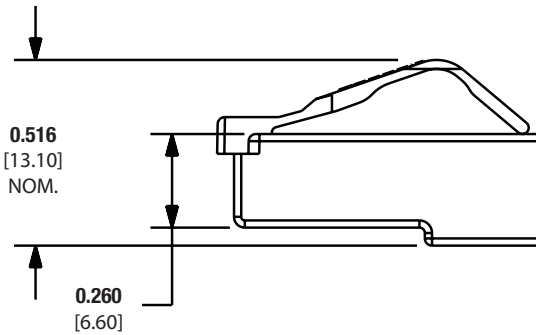
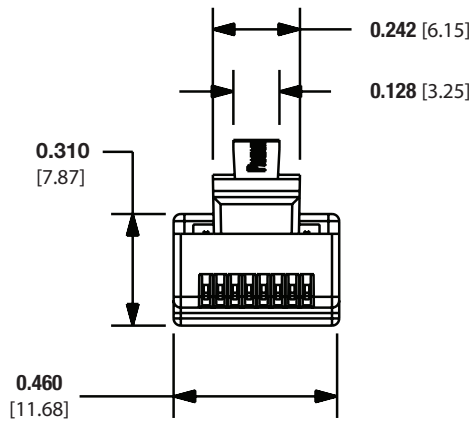
10/pack:	MP528-X
100/pack:	MP528-C
1000/pack:	MP528-M

Tools and Accessories

Small gauge plug assembly tool:	SGPT
Crimp tool:	MPT5-8AS
Wire prep tool:	WPT-8
Standard RJ45 plug lock-in device:	PSL-DCPLX [^]
Recessed RJ45 plug lock-in device:	PSL-DCPLRX [^]

[^]For colors other than Red, add suffix
-BL (Black), -BU (Blue), -GR (Green), -YL (Yellow),
-OR (Orange), IW (International White), or
-IG (International Gray) to the end of the
part number.

PanPlug™ 28 AWG UTP Modular Plug



Dimensions are in inches. [Dimensions in brackets are metric].

WORLDWIDE SUBSIDIARIES AND SALES OFFICES

PANDUIT US/CANADA
Phone: 800.777.3300

PANDUIT EUROPE LTD.
London, UK
cs-emea@panduit.com
Phone: 44.20.8601.7200

PANDUIT SINGAPORE PTE. LTD.
Republic of Singapore
cs-ap@panduit.com
Phone: 65.6305.7575

PANDUIT JAPAN
Tokyo, Japan
cs-japan@panduit.com
Phone: 81.3.6863.6000

PANDUIT LATIN AMERICA
Guadalajara, Mexico
cs-la@panduit.com
Phone: 52.33.3777.6000

PANDUIT AUSTRALIA PTY. LTD.
Victoria, Australia
cs-aus@panduit.com
Phone: 61.3.9794.9020

For a copy of Panduit product warranties, log on to www.panduit.com/warranty

For more information

Visit us at www.panduit.com

Contact Customer Service by email: cs@panduit.com
or by phone: 800.777.3300

© 2017 Panduit Corp.
ALL RIGHTS RESERVED.
COSP287--WW-ENG
Replaces WW-COSP213
12/2017